

DS90UB903Q/DS90UB904Q 10 - 43MHz 18 Bit Color FPD-Link III Serializer and Deserializer with Bidirectional Control Channel

Check for Samples: [DS90UB903Q](#), [DS90UB904Q](#)

FEATURES

- 10 MHz to 43 MHz Input PCLK Support
- 210 Mbps to 903 Mbps Data Throughput
- Single Differential Pair Interconnect
- Bidirectional Control Interface Channel with I²C Support
- Embedded Clock with DC Balanced Coding to Support AC-Coupled Interconnects
- Capable to Drive up to 10 Meters Shielded Twisted-Pair
- I²C Compatible Serial Interface
- Single Hardware Device Addressing Pin
- Up to 4 General Purpose Input (GPI)/ Output (GPO)
- LOCK Output Reporting Pin and AT-SPEED BIST Diagnosis Feature to Validate Link Integrity
- Integrated Termination Resistors
- 1.8V- or 3.3V-Compatible Parallel Bus Interface
- Single Power Supply at 1.8V
- ISO 10605 ESD and IEC 61000-4-2 ESD Compliant
- Automotive Grade Product: AEC-Q100 Grade 2 Qualified
- Temperature Range –40°C to +105°C
- No Reference Clock Required on Deserializer
- Programmable Receive Equalization
- EMI/EMC Mitigation
 - DES Programmable Spread Spectrum (SSCG) Outputs
 - DES Receiver Staggered Outputs

APPLICATIONS

- Automotive Display Systems
 - Central Information Displays
 - Navigation Displays
 - Rear Seat Entertainment
 - Touch Screen Displays

DESCRIPTION

The DS90UB903Q/DS90UB904Q chipset offers a FPD-Link III interface with a high-speed forward channel and a bidirectional control channel for data transmission over a single differential pair. The DS90UB903Q/904Q incorporates differential signaling on both the high-speed forward channel and bidirectional control channel data paths. The Serializer/ Deserializer pair is targeted for direct connections between graphics host controller and displays modules. This chipset is ideally suited for driving video data to displays requiring 18-bit color depth (RGB666 + HS, VS, and DE) along with bidirectional control channel bus. The primary transport converts 21 bit data over a single high-speed serial stream, along with a separate low latency bidirectional control channel transport that accepts control information from an I²C port. Using TI's embedded clock technology allows transparent full-duplex communication over a single differential pair, carrying asymmetrical bidirectional control channel information in both directions. This single serial stream simplifies transferring a wide data bus over PCB traces and cable by eliminating the skew problems between parallel data and clock paths. This significantly saves system cost by narrowing data paths that in turn reduce PCB layers, cable width, and connector size and pins.

In addition, the Deserializer inputs provide equalization control to compensate for loss from the media over longer distances. Internal DC balanced encoding/decoding is used to support AC-Coupled interconnects.

The Serializer is offered in a 40-pin lead in WQFN and Deserializer is offered in a 48-pin WQFN packages.



Please be aware that an important notice concerning availability, standard warranty, and use in critical applications of Texas Instruments semiconductor products and disclaimers thereto appears at the end of this data sheet.

All trademarks are the property of their respective owners.

Typical Application Diagram

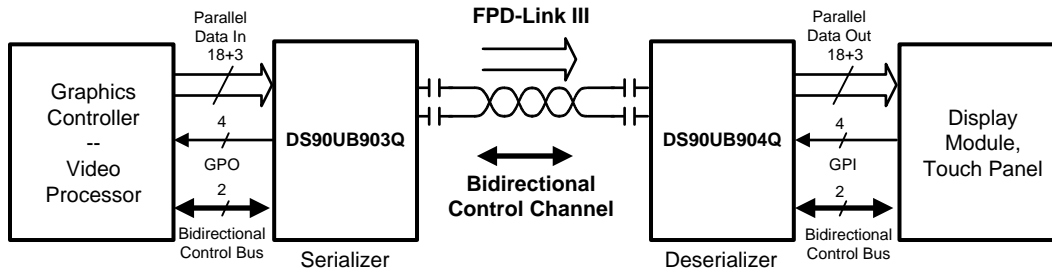


Figure 1. Typical Application Circuit

Block Diagrams

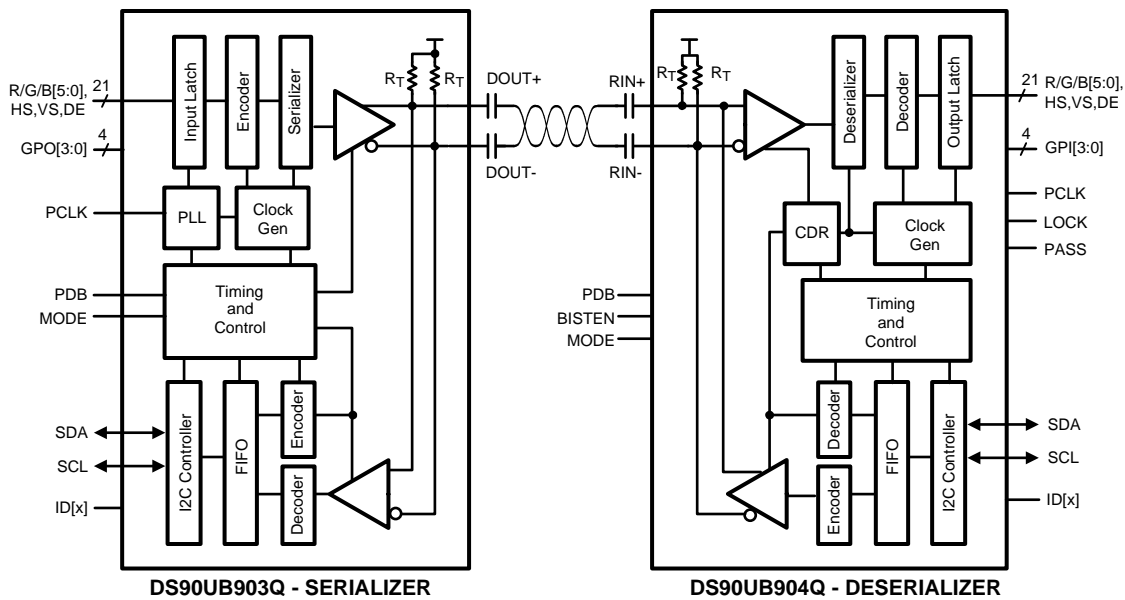


Figure 2. Block Diagram

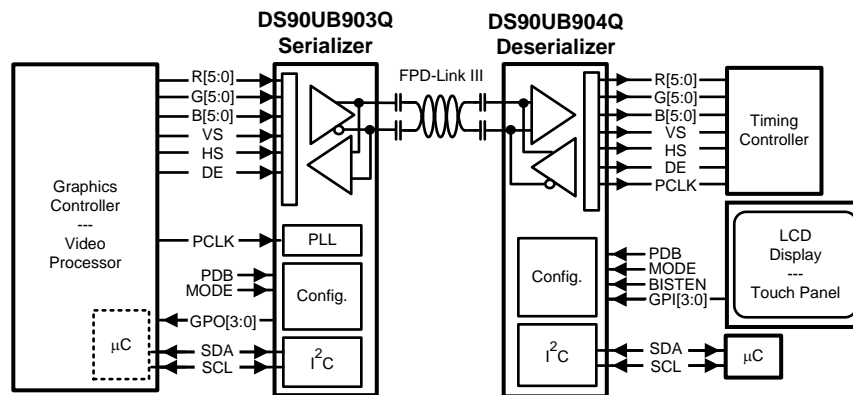
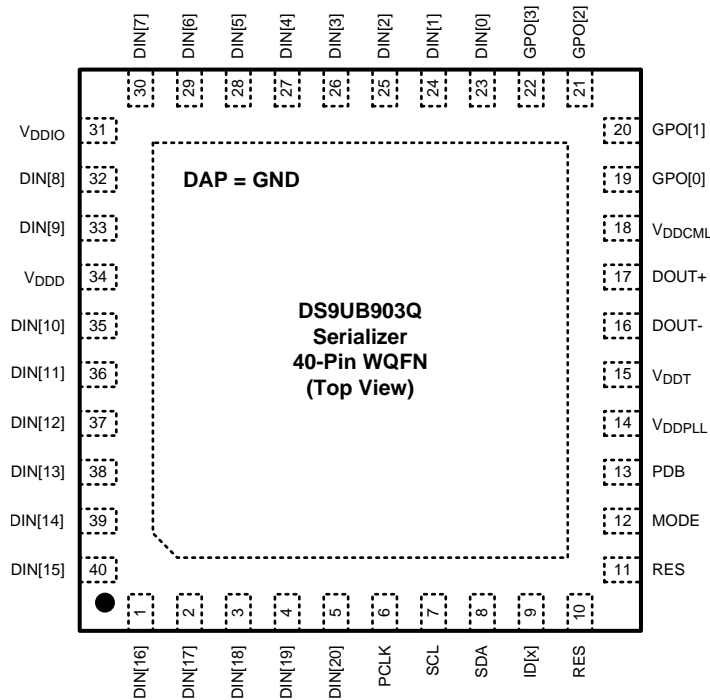


Figure 3. Application Block Diagram

DS90UB903Q Pin Diagram



**Serializer - DS90UB903Q
40 Pin WQFN (Top View)
See Package Number RTA0040A**

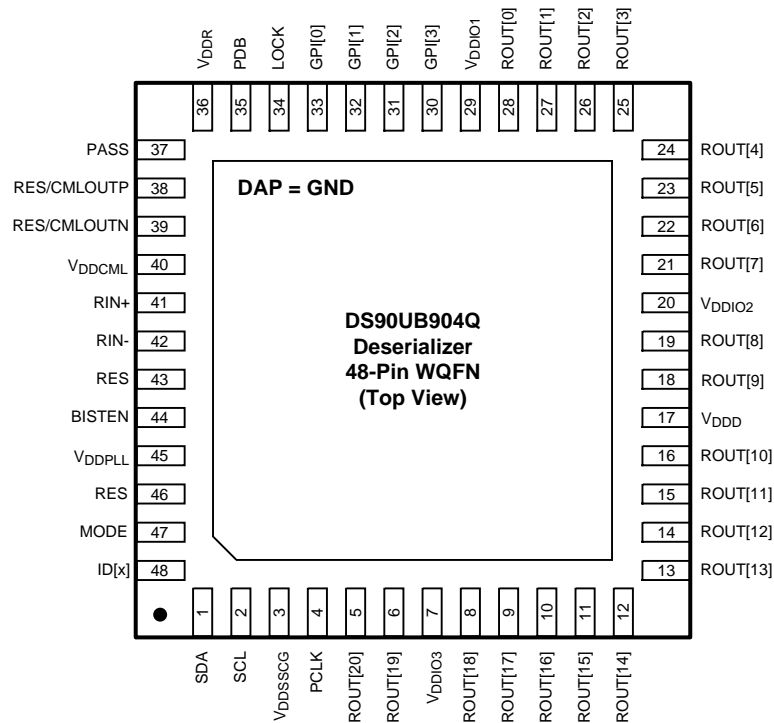
DS90UB903Q SERIALIZER PIN DESCRIPTIONS

| Pin Name | Pin No. | I/O, Type | Description |
|--|---|-----------------------------|---|
| LVCMOS PARALLEL INTERFACE | | | |
| DIN[20:0] | 5, 4, 3, 2, 1, 40, 39, 38, 37, 36, 35, 33, 32, 30, 29, 28, 27, 26, 25, 24, 23 | Inputs, LVCMOS w/ pull down | Parallel data inputs. |
| PCLK | 6 | Input, LVCMOS w/ pull down | Pixel Clock Input Pin. Strobe edge set by TRFB control register. |
| GENERAL PURPOSE OUTPUT (GPO) | | | |
| GPO[3:0] | 22, 21, 20, 19 | Output, LVCMOS | General-purpose output pins can be used to control and respond to various commands. |
| BIDIRECTIONAL CONTROL BUS - I²C COMPATIBLE | | | |
| SCL | 7 | Input/Output, Open Drain | Clock line for the bidirectional control bus communication SCL requires an external pull-up resistor to V _{DDIO} . |
| SDA | 8 | Input/Output, Open Drain | Data line for the bidirectional control bus communication SDA requires an external pull-up resistor to V _{DDIO} . |
| MODE | 12 | Input, LVCMOS w/ pull down | I ² C Mode select MODE = L, Master mode (default); Device generates and drives the SCL clock line. Device is connected to slave peripheral on the bus. (Serializer initially starts up in Standby mode and is enabled through remote wakeup by Deserializer) MODE = H, Slave mode; Device accepts SCL clock input and attached to an I ² C controller master on the bus. Slave mode does not generate the SCL clock, but uses the clock generated by the Master for the data transfers. |
| ID[x] | 9 | Input, analog | Device ID Address Select Resistor to Ground and 10 kΩ pull-up to 1.8V rail. See Table 3 |
| CONTROL AND CONFIGURATION | | | |

DS90UB903Q SERIALIZER PIN DESCRIPTIONS (continued)

| Pin Name | Pin No. | I/O, Type | Description |
|-------------------------------|---------|----------------------------|--|
| PDB | 13 | Input, LVCMOS w/ pull down | Power down Mode Input Pin. PDB = H, Serializer is enabled and is ON. PDB = L, Serailizer is in Power Down mode. When the Serializer is in Power Down, the PLL is shutdown, and IDD is minimized. Programmed control register data are NOT retained and reset to default values |
| RES | 10, 11 | Input, LVCMOS w/ pull down | Reserved. This pin MUST be tied LOW. |
| FPD-LINK III INTERFACE | | | |
| DOUT+ | 17 | Input/Output, CML | Non-inverting differential output, bidirectional control channel input. The interconnect must be AC Coupled with a 100 nF capacitor. |
| DOUT- | 16 | Input/Output, CML | Inverting differential output, bidirectional control channel input. The interconnect must be AC Coupled with a 100 nF capacitor. |
| POWER AND GROUND | | | |
| VDDPLL | 14 | Power, Analog | PLL Power, 1.8V ±5% |
| VDDT | 15 | Power, Analog | Tx Analog Power, 1.8V ±5% |
| VDDCML | 18 | Power, Analog | CML & Bidirectional Channel Driver Power, 1.8V ±5% |
| VDDD | 34 | Power, Digital | Digital Power, 1.8V ±5% |
| VDDIO | 31 | Power, Digital | Power for I/O stage. The single-ended inputs and SDA, SCL are powered from V _{DDIO} . V _{DDIO} can be connected to a 1.8V ±5% or 3.3V ±10% |
| VSS | DAP | Ground, DAP | DAP must be grounded. DAP is the large metal contact at the bottom side, located at the center of the WQFN package. Connected to the ground plane (GND) with at least 16 vias. |

DS90UB904Q Pin Diagram



**Deserializer - DS90UB904Q
48 Pin WQFN (Top View)
See Package Number RHS0048A**

DS90UB904Q DESERIALIZER PIN DESCRIPTIONS

| Pin Name | Pin No. | I/O, Type | Description |
|--|--|--------------------------|--|
| LVCMOS PARALLEL INTERFACE | | | |
| ROUT[20:0] | 5, 6, 8, 9, 10, 11, 12, 13, 14, 15, 16, 18, 19, 21, 22, 23, 24, 25, 26, 27, 28 | Outputs, LVCMOS | Parallel data outputs. |
| PCLK | 4 | Output, LVCMOS | Pixel Clock Output Pin. Strobe edge set by RRFb control register. |
| GENERAL PURPOSE INPUT (GPI) | | | |
| GPI[3:0] | 30, 31, 32, 33 | Input, LVCMOS | General-purpose input pins can be used to control and respond to various commands. |
| BIDIRECTIONAL CONTROL BUS - I²C COMPATIBLE | | | |
| SCL | 2 | Input/Output, Open Drain | Clock line for the bidirectional control bus communication SCL requires an external pull-up resistor to V _{DDIO} . |
| SDA | 1 | Input/Output, Open Drain | Data line for bidirectional control bus communication SDA requires an external pull-up resistor to V _{DDIO} . |
| MODE | 47 | Input, LVCMOS w/ pull up | I ² C Mode select MODE = L, Master mode; Device generates and drives the SCL clock line, where required such as Read. Device is connected to slave peripheral on the bus. MODE = H, Slave mode (default); Device accepts SCL clock input and attached to an I ² C controller master on the bus. Slave mode does not generate the SCL clock, but uses the clock generated by the Master for the data transfers. |
| ID[x] | 48 | Input, analog | Device ID Address Select Resistor to Ground and 10 kΩ pull-up to 1.8V rail. See Table 4. |
| CONTROL AND CONFIGURATION | | | |

DS90UB904Q DESERIALIZER PIN DESCRIPTIONS (continued)

| Pin Name | Pin No. | I/O, Type | Description |
|-------------------------------|----------------|----------------------------|--|
| PDB | 35 | Input, LVCMOS w/ pull down | Power down Mode Input Pin. PDB = H, Deserializer is enabled and is ON. PDB = L, Deserializer is in Power Down mode. When the Deserializer is in Power Down. Programmed control register data are NOT retained and reset to default values. |
| LOCK | 34 | Output, LVCMOS | LOCK Status Output Pin. LOCK = H, PLL is Locked, outputs are active LOCK = L, PLL is unlocked, ROUT and PCLK output states are controlled by OSS_SEL control register. May be used as Link Status. |
| RES | 38, 39, 43, 46 | - | Reserved. Pins 38, 39: Route to test point or leave open if unused. See also FPD-LINK III INTERFACE pin description section. Pin 46: This pin MUST be tied LOW. Pin 43: Leave pin open. |
| BIST MODE | | | |
| BISTEN | 44 | Input, LVCMOS w/ pull down | BIST Enable Pin. BISTEN = H, BIST Mode is enabled. BISTEN = L, BIST Mode is disabled. |
| PASS | 37 | Output, LVCOMS | PASS Output Pin for BIST mode. PASS = H, ERROR FREE Transmission PASS = L, one or more errors were detected in the received payload. Leave Open if unused. Route to test point (pad) recommended. |
| FPD-LINK III INTERFACE | | | |
| RIN+ | 41 | Input/Output, CML | Non-inverting differential input, bidirectional control channel output. The interconnect must be AC Coupled with a 100 nF capacitor. |
| RIN- | 42 | Input/Output, CML | Inverting differential input, bidirectional control channel output. The interconnect must be AC Coupled with a 100 nF capacitor. |
| CMLOUTP | 38 | Output, CML | Non-inverting CML Output Monitor point for equalized differential signal. Test port is enabled via control registers. |
| CMLOUTN | 39 | Output, CML | Inverting CML Output Monitor point for equalized differential signal. Test port is enabled via control registers. |
| POWER AND GROUND | | | |
| VDDSSCG | 3 | Power, Digital | SSCG Power, 1.8V ±5% Power supply must be connected regardless if SSCG function is in operation. |
| VDDIO1/2/3 | 29, 20, 7 | Power, Digital | LVCMOS I/O Buffer Power, The single-ended outputs and control input are powered from V _{DDIO} . V _{DDIO} can be connected to a 1.8V ±5% or 3.3V ±10% |
| VDDD | 17 | Power, Digital | Digital Core Power, 1.8V ±5% |
| VDDR | 36 | Power, Analog | Rx Analog Power, 1.8V ±5% |
| VDDCML | 40 | Power, Analog | Bidirectional Channel Driver Power, 1.8V ±5% |
| VDDPLL | 45 | Power, Analog | PLL Power, 1.8V ±5% |
| VSS | DAP | Ground, DAP | DAP must be grounded. DAP is the large metal contact at the bottom side, located at the center of the WQFN package. Connected to the ground plane (GND) with at least 16 vias. |



These devices have limited built-in ESD protection. The leads should be shorted together or the device placed in conductive foam during storage or handling to prevent electrostatic damage to the MOS gates.

Absolute Maximum Ratings⁽¹⁾⁽²⁾⁽³⁾

| | | |
|--|--|---------------------------------------|
| Supply Voltage – V_{DDn} (1.8V) | | -0.3V to +2.5V |
| Supply Voltage – V_{DDIO} | | -0.3V to +4.0V |
| LVC MOS Input Voltage I/O Voltage | | -0.3V to + ($V_{DDIO} + 0.3V$) |
| CML Driver I/O Voltage (V_{DD}) | | -0.3V to + ($V_{DD} + 0.3V$) |
| CML Receiver I/O Voltage (V_{DD}) | | -0.3V to ($V_{DD} + 0.3V$) |
| Junction Temperature | | +150°C |
| Storage Temperature | | -65°C to +150°C |
| Maximum Package Power Dissipation Capacity | | $1/\theta_{JA}$ °C/W above +25° |
| Package Derating | | |
| 40 Lead WQFN | θ_{JA} (based on 16 thermal vias) | 30.7 °C/W |
| | θ_{JC} (based on 16 thermal vias) | 6.8 °C/W |
| 48 Lead WQFN | θ_{JA} (based on 16 thermal vias) | 26.9 °C/W |
| | θ_{JC} (based on 16 thermal vias) | 4.4 °C/W |
| ESD Rating (IEC 61000-4-2) | | $R_D = 330\Omega$, $C_S = 150pF$ |
| Air Discharge (DOU+, DOU-, RIN+, RIN-) | | $\geq \pm 25$ kV |
| Contact Discharge (DOU+, DOU-, RIN+, RIN-) | | $\geq \pm 10$ kV |
| ESD Rating (ISO10605) | | $R_D = 330\Omega$, $C_S = 150/330pF$ |
| ESD Rating (ISO10605) | | $R_D = 2K\Omega$, $C_S = 150/330pF$ |
| Air Discharge (DOU+, DOU-, RIN+, RIN-) | | $\geq \pm 15$ kV |
| Contact Discharge (DOU+, DOU-, RIN+, RIN-) | | $\geq \pm 10$ kV |
| ESD Rating (HBM) | | $\geq \pm 8$ kV |
| ESD Rating (CDM) | | $\geq \pm 1$ kV |
| ESD Rating (MM) | | $\geq \pm 250$ V |

- (1) "Absolute Maximum Ratings" indicate limits beyond which damage to the device may occur, including inoperability and degradation of device reliability and/or performance. Functional operation of the device and/or non-degradation at the Absolute Maximum Ratings or other conditions beyond those indicated in the Recommended Operating Conditions is not implied. The Recommended Operating Conditions indicate conditions at which the device is functional; the device should not be operated beyond such conditions.
- (2) For soldering specifications: see product folder at www.ti.com
- (3) If Military/Aerospace specified devices are required, please contact the Texas Instruments Sales Office/Distributors for availability and specifications.

Recommended Operating Conditions⁽¹⁾

| | Min | Nom | Max | Units |
|--|-------------------|-----|------|-------|
| Supply Voltage (V_{DDn}) | 1.71 | 1.8 | 1.89 | V |
| LVC MOS Supply Voltage (V_{DDIO}) OR LVC MOS Supply Voltage (V_{DDIO}) | 1.71 | 1.8 | 1.89 | V |
| | 3.0 | 3.3 | 3.6 | V |
| Supply Noise | V_{DDn} (1.8V) | | 25 | mVp-p |
| | V_{DDIO} (1.8V) | | 25 | mVp-p |
| | V_{DDIO} (3.3V) | | 50 | mVp-p |
| Operating Free Air Temperature (T_A) | -40 | +25 | +105 | °C |
| PCLK Clock Frequency | 10 | | 43 | MHz |

- (1) Supply noise testing was done with minimum capacitors (as shown on [Figure 37](#) and [Figure 38](#)) on the PCB. A sinusoidal signal is AC coupled to the V_{DDn} (1.8V) supply with amplitude = 25 mVp-p measured at the device V_{DDn} pins. Bit error rate testing of input to the Ser and output of the Des with 10 meter cable shows no error when the noise frequency on the Ser is less than 1 MHz. The Des on the other hand shows no error when the noise frequency is less than 750 kHz.

Electrical Characteristics⁽¹⁾⁽²⁾⁽³⁾

Over recommended operating supply and temperature ranges unless otherwise specified.

| Symbol | Parameter | Conditions | Min | Typ | Max | Units | |
|---|--|---|---|-----------------------------------|---|-------|----|
| LVC MOS DC SPECIFICATIONS 3.3V I/O (SER INPUTS, DES OUTPUTS, GPI, GPO, CONTROL INPUTS AND OUTPUTS) | | | | | | | |
| V _{IH} | High Level Input Voltage | V _{IN} = 3.0V to 3.6V | 2.0 | | V _{IN} | V | |
| V _{IL} | Low Level Input Voltage | V _{IN} = 3.0V to 3.6V | GND | | 0.8 | V | |
| I _{IN} | Input Current | V _{IN} = 0V or 3.6V, V _{IN} = 3.0V to 3.6V | -20 | ±1 | +20 | µA | |
| V _{OH} | High Level Output Voltage | V _{DDIO} = 3.0V to 3.6V, I _{OH} = -4 mA | 2.4 | | V _{DDIO} | V | |
| V _{OL} | Low Level Output Voltage | V _{DDIO} = 3.0V to 3.6V, I _{OL} = +4 mA | GND | | 0.4 | V | |
| I _{OS} | Output Short Circuit Current | V _{OUT} = 0V | Serializer GPO Outputs | | -24 | mA | |
| | | | Deserializer LVCMOS Outputs | | -39 | | |
| I _{OZ} | TRI-STATE Output Current | PDB = 0V, V _{OUT} = 0V or V _{DD} | LVC MOS Outputs | -20 | ±1 | +20 | µA |
| LVC MOS DC SPECIFICATIONS 1.8V I/O (SER INPUTS, DES OUTPUTS, GPI, GPO, CONTROL INPUTS AND OUTPUTS) | | | | | | | |
| V _{IH} | High Level Input Voltage | V _{IN} = 1.71V to 1.89V | 0.65 V _{IN} | | V _{IN} +0.3 | V | |
| V _{IL} | Low Level Input Voltage | V _{IN} = 1.71V to 1.89V | GND | | 0.35 V _{IN} | | |
| I _{IN} | Input Current | V _{IN} = 0V or 1.89V, V _{IN} = 1.71V to 1.89V | -20 | ±1 | +20 | µA | |
| V _{OH} | High Level Output Voltage | V _{DDIO} = 1.71V to 1.89V, I _{OH} = -4 mA | V _{DDIO} - 0.45 | | V _{DDIO} | V | |
| V _{OL} | Low Level Output Voltage | V _{DDIO} = 1.71V to 1.89V, I _{OL} = +4 mA | Deserializer LVCMOS Outputs | GND | 0.45 | V | |
| I _{OS} | Output Short Circuit Current | V _{OUT} = 0V | Serializer GPO Outputs | | -11 | mA | |
| | | | Deserializer LVCMOS Outputs | | -20 | | |
| I _{OZ} | TRI-STATE Output Current | PDB = 0V, V _{OUT} = 0V or V _{DD} | LVC MOS Outputs | -20 | ±1 | +20 | µA |
| CML DRIVER DC SPECIFICATIONS (DOUT+, DOUT-) | | | | | | | |
| V _{OD} | Output Differential Voltage | R _T = 100Ω (Figure 8) | 268 | 340 | 412 | mV | |
| ΔV _{OD} | Output Differential Voltage Unbalance | R _L = 100Ω | | 1 | 50 | mV | |
| V _{OS} | Output Differential Offset Voltage | R _L = 100Ω (Figure 8) | V _{DD} (MIN) - V _{OD} (MAX) | V _{DD} - V _{OD} | V _{DD} (MAX) - V _{OD} (MIN) | V | |
| ΔV _{OS} | Offset Voltage Unbalance | R _L = 100Ω | | 1 | 50 | mV | |
| I _{OS} | Output Short Circuit Current | DOUT+/- = 0V | | -27 | | mA | |
| R _T | Differential Internal Termination Resistance | Differential across DOUT+ and DOUT- | 80 | 100 | 120 | Ω | |
| CML RECEIVER DC SPECIFICATIONS (RIN+, RIN-) | | | | | | | |

- (1) The Electrical Characteristics tables list ensured specifications under the listed Recommended Operating Conditions except as otherwise modified or specified by the Electrical Characteristics Conditions and/or Notes. Typical specifications are estimations only and are not ensured.
- (2) Current into device pins is defined as positive. Current out of a device pin is defined as negative. Voltages are referenced to ground except V_{OD}, ΔV_{OD}, V_{TH} and V_{TL} which are differential voltages.
- (3) Typical values represent most likely parametric norms at 1.8V or 3.3V, T_A = +25°C, and at the Recommended Operation Conditions at the time of product characterization and are not ensured.

**Electrical Characteristics⁽¹⁾⁽²⁾⁽³⁾
(continued)**

Over recommended operating supply and temperature ranges unless otherwise specified.

| Symbol | Parameter | Conditions | Min | Typ | Max | Units | |
|---|--|---|--|------------------------------------|-----|-------|----|
| V_{TH} | Differential Threshold High Voltage | (Figure 10) | | | +90 | mV | |
| V_{TL} | Differential Threshold Low Voltage | | -90 | | | | |
| V_{IN} | Differential Input Voltage Range | RIN+ - RIN- | 180 | | | mV | |
| I_{IN} | Input Current | $V_{IN} = V_{DD}$ or 0V, $V_{DD} = 1.89V$ | -20 | ±1 | +20 | µA | |
| R_T | Differential Internal Termination Resistance | Differential across RIN+ and RIN- | 80 | 100 | 120 | Ω | |
| SER/DES SUPPLY CURRENT *DIGITAL, PLL, AND ANALOG VDD | | | | | | | |
| I_{DDT} | Serializer (Tx) VDDn Supply Current (includes load current) | $R_T = 100\Omega$ WORST CASE pattern (Figure 5) | VDDn = 1.89V PCLK = 43 MHz Default Registers | | 62 | 90 | mA |
| | | $R_T = 100\Omega$ RANDOM PRBS-7 pattern | | | 55 | | |
| I_{DDIOT} | Serializer (Tx) VDDIO Supply Current (includes load current) | $R_T = 100\Omega$ WORST CASE pattern (Figure 5) | VDDIO = 1.89V PCLK = 43 MHz Default Registers | | 2 | 5 | mA |
| | | | VDDIO = 3.6V PCLK = 43 MHz Default Registers | | 7 | 15 | |
| I_{DDTZ} | Serializer (Tx) Supply Current Power-down | PDB = 0V; All other LVCMOS Inputs = 0V | VDDn = 1.89V | | 370 | 775 | µA |
| I_{DDIOTZ} | | | VDDIO = 1.89V | | 55 | 125 | |
| | | | VDDIO = 3.6V | | 65 | 135 | |
| I_{DDR} | Deserializer (Rx) VDDn Supply Current (includes load current) | VDDn = 1.89V, $C_L = 8$ pF WORST CASE Pattern (Figure 5) | PCLK = 43 MHz SSCG[3:0] = ON Default Registers | | 60 | 96 | mA |
| | | VDDn = 1.89V, $C_L = 8$ pF RANDOM PRBS-7 Pattern | PCLK = 43 MHz Default Registers | | 53 | | |
| I_{DDIOR} | Deserializer (Rx) VDDIO Supply Current (includes load current) | VDDIO = 1.89V, $C_L = 8$ pF WORST CASE Pattern (Figure 5) | PCLK = 43 MHz Default Registers | | 21 | 32 | mA |
| | | | VDDIO = 3.6V, $C_L = 8$ pF WORST CASE Pattern | PCLK = 43 MHz Default Registers | | 49 | |
| I_{DDRZ} | Deserializer (Rx) Supply Current Power-down | PDB = 0V; All other LVCMOS Inputs = 0V | VDDn = 1.89V | | 42 | 400 | µA |
| I_{DDIORZ} | | | VDDIO = 1.89V | | 8 | 40 | |
| | | | VDDIO = 3.6V | | 350 | 800 | |

Recommended Serializer Timing for PCLK⁽¹⁾

Over recommended operating supply and temperature ranges unless otherwise specified.

| Symbol | Parameter | Conditions | Min | Typ | Max | Units |
|------------|---|-----------------|------|------|------|-------|
| t_{TCP} | Transmit Clock Period | 10 MHz – 43 MHz | 23.3 | T | 100 | ns |
| t_{TCIH} | Transmit Clock Input High Time | | 0.4T | 0.5T | 0.6T | ns |
| t_{TCIL} | Transmit Clock Input Low Time | | 0.4T | 0.5T | 0.6T | ns |
| t_{CLKT} | PCLK Input Transition Time (Figure 11) | | 0.5 | | 3 | ns |
| f_{OSC} | Internal oscillator clock source | | | 25 | | MHz |

(1) Recommended Input Timing Requirements are input specifications and not tested in production.

Serializer Switching Characteristics

Over recommended operating supply and temperature ranges unless otherwise specified.

| Symbol | Parameter | Conditions | Min | Typ | Max | Units |
|-------------------|---|--|---------------|----------------|------------------|-------|
| t_{LHT} | CML Low-to-High Transition Time | $R_L = 100\Omega$ (Figure 6) | | 150 | 330 | ps |
| t_{HLT} | CML High-to-Low Transition Time | $R_L = 100\Omega$ (Figure 6) | | 150 | 330 | ps |
| t_{DIS} | Data Input Setup to PCLK | Serializer Data Inputs (Figure 12) | 2.0 | | | ns |
| t_{DIH} | Data Input Hold from PCLK | | 2.0 | | | ns |
| t_{PLD} | Serializer PLL Lock Time | $R_L = 100\Omega^{(1)(2)}$ | | 1 | 2 | ms |
| t_{SD} | Serializer Delay | $R_T = 100\Omega$, PCLK = 10–43 MHz Register 0x03h b[0] (TRFB = 1) (Figure 14) | 6.386T + 5 | 6.386T + 12 | 6.386T + 19.7 | ns |
| t_{JIND} | Serializer Output Deterministic Jitter | Serializer output intrinsic deterministic jitter . Measured (cycle-cycle) with PRBS-7 test pattern PCLK = 43 MHz ⁽³⁾⁽⁴⁾ | | 0.13 | | UI |
| t_{JINR} | Serializer Output Random Jitter | Serializer output intrinsic random jitter (cycle-cycle). Alternating-1,0 pattern. PCLK = 43 MHz ⁽³⁾⁽⁴⁾ | | 0.04 | | UI |
| t_{JINT} | Peak-to-peak Serializer Output Jitter | Serializer output peak-to-peak jitter includes deterministic jitter, random jitter, and jitter transfer from serializer input. Measured (cycle-cycle) with PRBS-7 test pattern. PCLK = 43 MHz ⁽³⁾⁽⁴⁾ | | 0.396 | | UI |
| λ_{STXBW} | Serializer Jitter Transfer Function -3 dB Bandwidth | PCLK = 43 MHz, Default Registers (Figure 20) ⁽³⁾ | | 1.90 | | MHz |
| δ_{STX} | Serializer Jitter Transfer Function (Peaking) | PCLK = 43 MHz, Default Registers (Figure 20) ⁽³⁾ | | 0.944 | | dB |
| δ_{STXf} | Serializer Jitter Transfer Function (Peaking Frequency) | PCLK = 43 MHz, Default Registers (Figure 20) ⁽³⁾ | | 500 | | kHz |

- (1) t_{PLD} and t_{DDL} is the time required by the serializer and deserializer to obtain lock when exiting power-down state with an active PCLK
- (2) Specification is ensured by design.
- (3) Typical values represent most likely parametric norms at 1.8V or 3.3V, $T_A = +25^\circ\text{C}$, and at the Recommended Operation Conditions at the time of product characterization and are not ensured.
- (4) UI – Unit Interval is equivalent to one ideal serialized data bit width. The UI scales with PCLK frequency.

Deserializer Switching Characteristics

Over recommended operating supply and temperature ranges unless otherwise specified.

| Symbol | Parameter | Conditions | Pin/Freq. | Min | Typ | Max | Units |
|-----------|-------------------------------------|--|------------------------------------|-------|------|-----|-------|
| t_{RCP} | Receiver Output Clock Period | $t_{RCP} = t_{TCP}$ | PCLK | 23.3 | T | 100 | ns |
| t_{PDC} | PCLK Duty Cycle | Default Registers SSCG[3:0] = OFF | PCLK | 45 | 50 | 55 | % |
| t_{CLH} | LVC MOS Low-to-High Transition Time | V_{DDIO} : 1.71V to 1.89V or 3.0 to 3.6V, $C_L = 8$ pF (lumped load) | PCLK | 1.3 | 2.0 | 2.8 | ns |
| t_{CHL} | LVC MOS High-to-Low Transition Time | Default Registers (Figure 16) ⁽¹⁾ | | 1.3 | 2.0 | 2.8 | |
| t_{CLH} | LVC MOS Low-to-High Transition Time | V_{DDIO} : 1.71V to 1.89V or 3.0 to 3.6V, $C_L = 8$ pF (lumped load) | Deserializer ROUTn Data Outputs | 1.6 | 2.4 | 3.3 | ns |
| t_{CHL} | LVC MOS High-to-Low Transition Time | Default Registers (Figure 16) ⁽¹⁾ | | 1.6 | 2.4 | 3.3 | |
| t_{ROS} | ROUT Setup Data to PCLK | V_{DDIO} : 1.71V to 1.89V or 3.0V to 3.6V, $C_L = 8$ pF (lumped load) | Deserializer ROUTn Data Outputs | 0.38T | 0.5T | | ns |
| t_{ROH} | ROUT Hold Data to PCLK | Default Registers | | 0.38T | 0.5T | | |

- (1) Specification is ensured by characterization and is not tested in production.

Deserializer Switching Characteristics (continued)

Over recommended operating supply and temperature ranges unless otherwise specified.

| Symbol | Parameter | Conditions | Pin/Freq. | Min | Typ | Max | Units |
|-------------|---|--|---------------|---------------|--------------------|----------------|-------|
| t_{DD} | Deserializer Delay | Default Registers Register 0x03h b[0] (RRFB = 1) (Figure 17) | 10 MHz–43 MHz | 4.571T + 8 | 4.571T + 12 | 4.571T + 16 | ns |
| $t_{DDL T}$ | Deserializer Data Lock Time | (Figure 15) ⁽²⁾ | 10 MHz–43 MHz | | | 10 | ms |
| t_{RJIT} | Receiver Input Jitter Tolerance | (Figure 19, Figure 21) ⁽³⁾⁽⁴⁾ | 43 MHz | | 0.53 | | UI |
| t_{RCJ} | Receiver Clock Jitter | PCLK SSCG[3:0] = OFF ⁽¹⁾⁽⁵⁾ | 10 MHz | | 300 | 550 | ps |
| | | | 43 MHz | | 120 | 250 | |
| t_{DPJ} | Deserializer Period Jitter | PCLK SSCG[3:0] = OFF ⁽¹⁾⁽⁶⁾ | 10 MHz | | 425 | 600 | ps |
| | | | 43 MHz | | 320 | 480 | |
| t_{DCCJ} | Deserializer Cycle-to-Cycle Clock Jitter | PCLK SSCG[3:0] = OFF ⁽¹⁾⁽⁷⁾ | 10 MHz | | 320 | 500 | ps |
| | | | 43 MHz | | 300 | 500 | |
| f_{dev} | Spread Spectrum Clocking Deviation Frequency | LVCMOS Output Bus SSC[3:0] = ON (Figure 22) | 20 MHz–43 MHz | | ±0.5% to ±2.0% | | % |
| f_{mod} | Spread Spectrum Clocking Modulation Frequency | | 20 MHz–43 MHz | | 9 kHz to 66 kHz | | kHz |

- (2) t_{PLD} and $t_{DDL T}$ is the time required by the serializer and deserializer to obtain lock when exiting power-down state with an active PCLK
- (3) UI – Unit Interval is equivalent to one ideal serialized data bit width. The UI scales with PCLK frequency.
- (4) t_{RJIT} max (0.61UI) is limited by instrumentation and actual t_{RJIT} of in-band jitter at low frequency (<2 MHz) is greater 1 UI.
- (5) t_{DCJ} is the maximum amount of jitter measured over 30,000 samples based on Time Interval Error (TIE).
- (6) t_{DPJ} is the maximum amount the period is allowed to deviate measured over 30,000 samples.
- (7) t_{DCCJ} is the maximum amount of jitter between adjacent clock cycles measured over 30,000 samples.

Bidirectional Control Bus AC Timing Specifications (SCL, SDA) - I²C Compliant

Over recommended supply and temperature ranges unless otherwise specified. See [Figure 4](#).

| Symbol | Parameter | Conditions | Min | Typ | Max | Units |
|--|---|---|-----|-----|------|-------|
| RECOMMENDED INPUT TIMING REQUIREMENTS⁽¹⁾ | | | | | | |
| f _{SCL} | SCL Clock Frequency | f _{SCL} = 100 kHz | >0 | | 100 | kHz |
| t _{LOW} | SCL Low Period | | 4.7 | | | μs |
| t _{HIGH} | SCL High Period | | 4.0 | | | μs |
| t _{HD:STA} | Hold time for a start or a repeated start condition | | 4.0 | | | μs |
| t _{SU:STA} | Set Up time for a start or a repeated start condition | | 4.7 | | | μs |
| t _{HD:DAT} | Data Hold Time | | 0 | | 3.45 | μs |
| t _{SU:DAT} | Data Set Up Time | | 250 | | | ns |
| t _{SU:STO} | Set Up Time for STOP Condition | | 4.0 | | | μs |
| t _r | SCL & SDA Rise Time | | | | 1000 | ns |
| t _f | SCL & SDA Fall Time | | | | 300 | ns |
| C _b | Capacitive load for bus | | | | 400 | pF |
| SWITCHING CHARACTERISTICS⁽²⁾ | | | | | | |
| f _{SCL} | SCL Clock Frequency | Serializer MODE = 0 – R/W Register 0x05 = 0x40'h | | 100 | | kHz |
| | | Deserializer MODE = 0 – READ Register 0x06 b[6:4] = 0x00'h | | 100 | | |
| t _{LOW} | SCL Low Period | Serializer MODE = 0 – R/W Register 0x05 = 0x40'h | 4.7 | | | μs |
| | | Deserializer MODE = 0 – READ Register 0x06 b[6:4] = 0x00'h | | | | |
| t _{HIGH} | SCL High Period | Serializer MODE = 0 – R/W Register 0x05 = 0x40'h | 4.0 | | | μs |
| | | Deserializer MODE = 0 – READ Register 0x06 b[6:4] = 0x00'h | | | | |
| t _{HD:STA} | Hold time for a start or a repeated start condition | Serializer MODE = 0 Register 0x05 = 0x40'h | 4.0 | | | μs |
| t _{SU:STA} | Set Up time for a start or a repeated start condition | Serializer MODE = 0 Register 0x05 = 0x40'h | 4.7 | | | μs |
| t _{HD:DAT} | Data Hold Time | | 0 | | 3.45 | μs |
| t _{SU:DAT} | Data Set Up Time | | 250 | | | ns |
| t _{SU:STO} | Set Up Time for STOP Condition | Serializer MODE = 0 | 4.0 | | | μs |
| t _f | SCL & SDA Fall Time | | | | 300 | ns |
| t _{BUF} | Bus free time between a stop and start condition | Serializer MODE = 0 | 4.7 | | | μs |
| t _{TIMEOUT} | NACK Time out | Serializer MODE = 1 | | 1 | | ms |
| | | Deserializer MODE = 1 Register 0x06 b[2:0]=111'b | | 25 | | |

(1) Recommended Input Timing Requirements are input specifications and not tested in production.

(2) Specification is ensured by design.

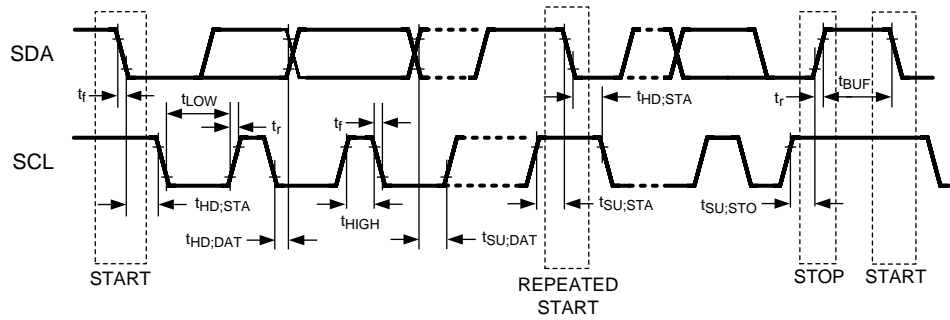


Figure 4. Bidirectional Control Bus Timing

Bidirectional Control Bus DC Characteristics (SCL, SDA) - I²C Compliant

Over recommended supply and temperature ranges unless otherwise specified.

| Symbol | Parameter | Conditions | Min | Typ | Max | Units |
|-----------------|--------------------------|---|-------------------------|-----|-------------------------|-------|
| V _{IH} | Input High Level | SDA and SCL | 0.7 x V _{DDIO} | | V _{DDIO} | V |
| V _{IL} | Input Low Level Voltage | SDA and SCL | GND | | 0.3 x V _{DDIO} | V |
| V _{HY} | Input Hysteresis | SDA and SCL | | >50 | | mV |
| I _{OZ} | TRI-STATE Output Current | PDB = 0V, V _{OUT} = 0V or V _{DD} | -20 | ±1 | +20 | µA |
| I _{IN} | Input Current | SDA or SCL, V _{in} = V _{DDIO} or GND | -20 | ±1 | +20 | µA |
| C _{IN} | Input Pin Capacitance | | | <5 | | pF |
| V _{OL} | Low Level Output Voltage | SCL and SDA, V _{DDIO} = 3.0V I _{OL} = 1.5 mA | | | 0.36 | V |
| | | SCL and SDA, V _{DDIO} = 1.71V I _{OL} = 1 mA | | | 0.36 | V |

AC Timing Diagrams and Test Circuits

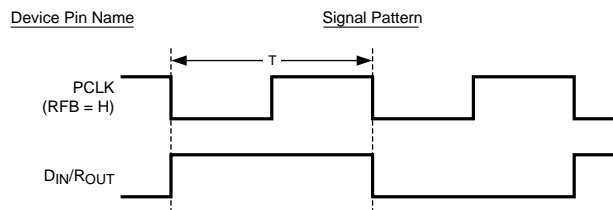


Figure 5. "Worst Case" Test Pattern

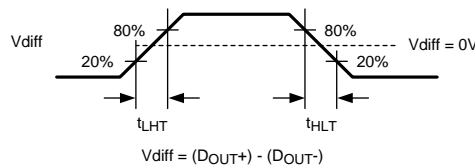


Figure 6. Serializer CML Output Load and Transition Times

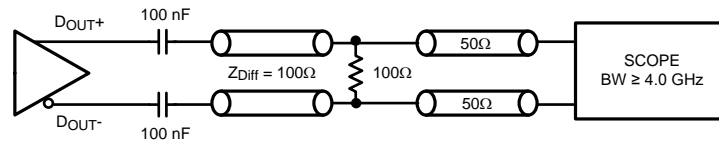


Figure 7. Serializer CML Output Load and Transition Times

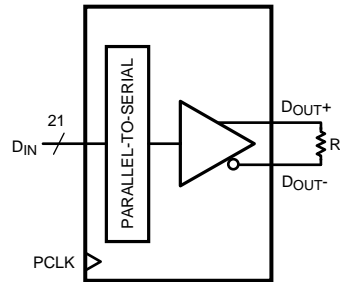


Figure 8. Serializer VOD DC Diagram

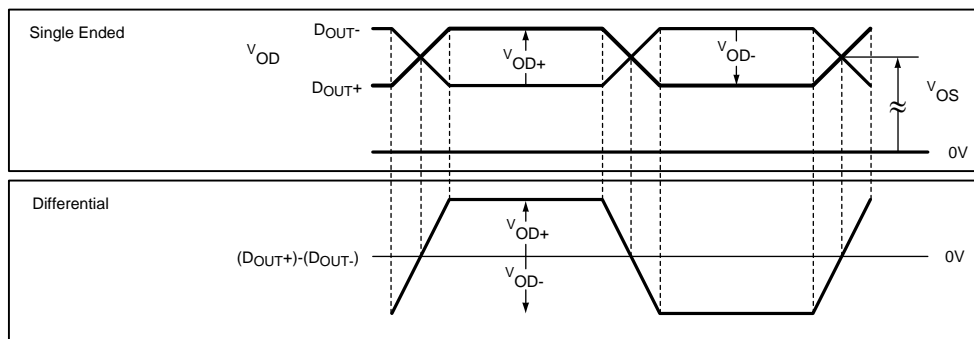


Figure 9. Serializer VOD DC Diagram

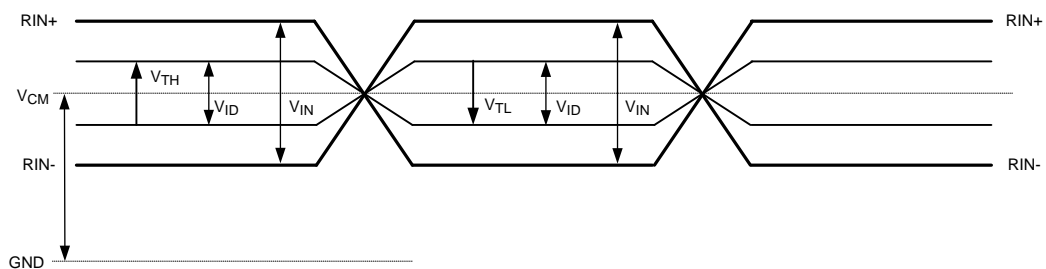


Figure 10. Differential VTH/VTL Definition Diagram

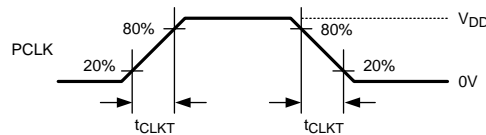


Figure 11. Serializer Input Clock Transition Times

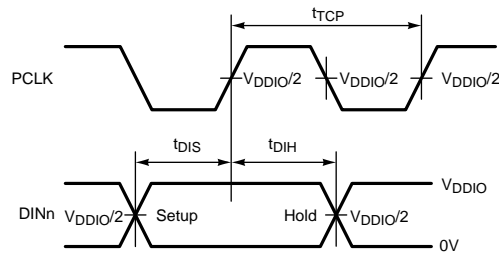


Figure 12. Serializer Setup/Hold Times

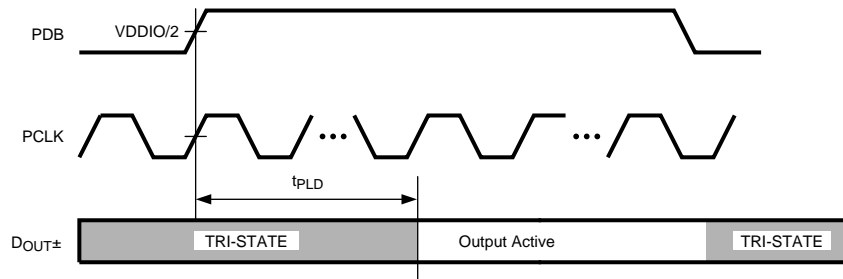


Figure 13. Serializer Data Lock Time

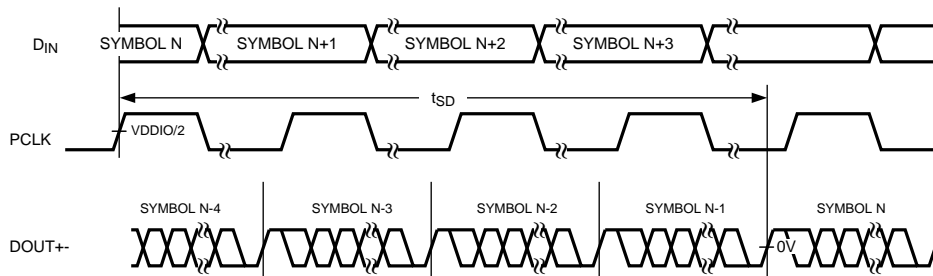


Figure 14. Serializer Delay

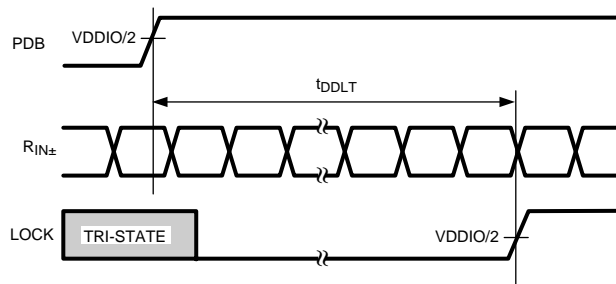


Figure 15. Deserializer Data Lock Time

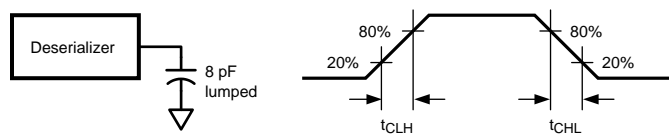


Figure 16. Deserializer LVC MOS Output Load and Transition Times

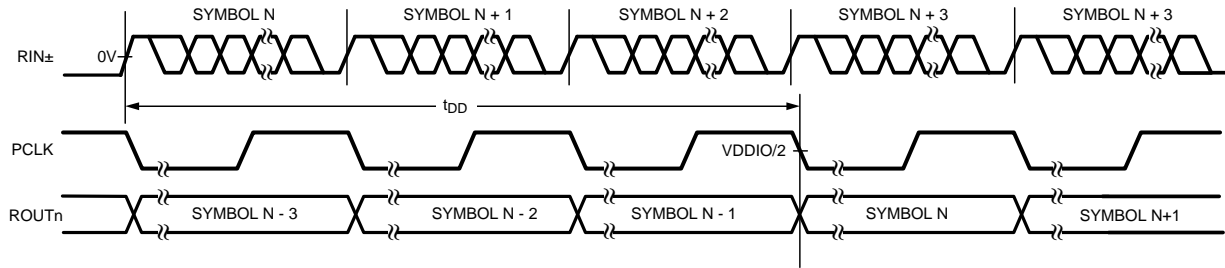


Figure 17. Deserializer Delay

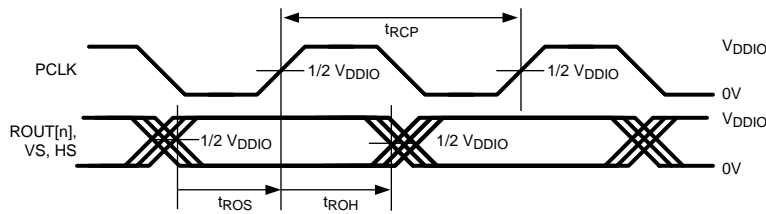


Figure 18. Deserializer Output Setup/Hold Times

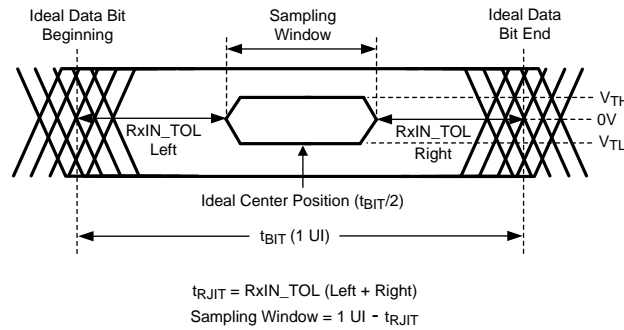


Figure 19. Receiver Input Jitter Tolerance

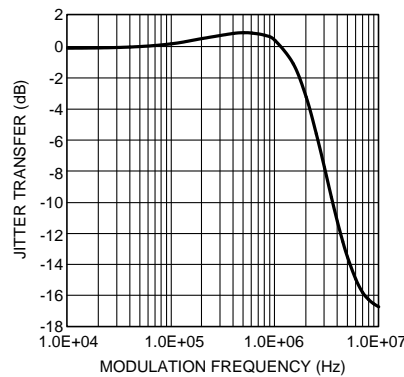


Figure 20. Typical Serializer Jitter Transfer Function Curve at 43 MHz

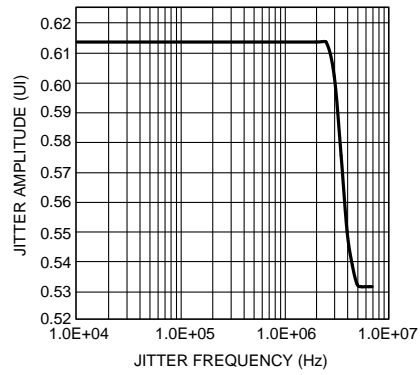


Figure 21. Typical Deserializer Input Jitter Tolerance Curve at 43 MHz

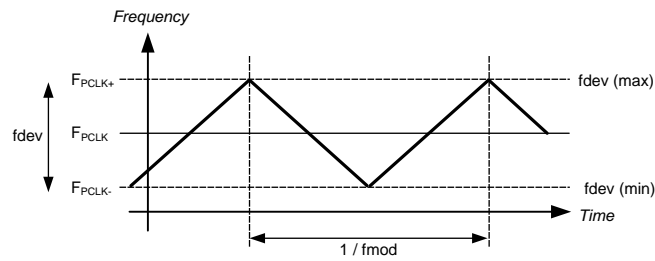


Figure 22. Spread Spectrum Clock Output Profile

Table 1. DS90UB903Q Control Registers

| Addr (Hex) | Name | Bits | Field | R/W | Default | Description |
|------------|-------------------------------|------|-------------------------------|-----|--------------|--|
| 0 | I ² C Device ID | 7:1 | DEVICE ID | RW | 0xB0'h | 7-bit address of Serializer; 0x58'h (1011_000X'b) default |
| | | 0 | SER ID SEL | | | 0: Device ID is from ID[x] 1: Register I ² C Device ID overrides ID[x] |
| 1 | Reset | 7:3 | RESERVED | | 0x00'h | Reserved |
| | | 2 | STANDBY | RW | 0 | Standby mode control. Retains control register data. Supported only when MODE = 0 0: Enabled. Low-current Standby mode with wake-up capability. Suspends all clocks and functions. 1: Disabled. Standby and wake-up disabled |
| | | 1 | DIGITAL RESET0 | RW | 0 self clear | 1: Resets the device to default register values. Does not affect device I ² C Bus or Device ID |
| | | 0 | DIGITAL RESET1 | RW | 0 self clear | 1: Digital Reset, retains all register values |
| 2 | Reserved | 7:0 | RESERVED | | 0x20'h | Reserved |
| 3 | Reserved | 7:6 | RESERVED | | 11'b | Reserved |
| | VDDIO Control | 5 | VDDIO CONTROL | RW | 1 | Auto V _{DDIO} detect Allows manual setting of VDDIO by register. 0: Disable 1: Enable (auto detect mode) |
| | VDDIO Mode | 4 | VDDIO MODE | RW | 1 | VDDIO voltage set Only used when VDDIOCONTROL = 0 0: 1.8V 1: 3.3V |
| | I ² C Pass-Through | 3 | I ² C PASS-THROUGH | RW | 1 | I ² C Pass-Through 0: Disabled 1: Enabled |
| | RESERVED | 2 | RESERVED | | 0 | Reserved |
| | PCLK_AUTO | 1 | PCLK_AUTO | RW | 1 | Switch over to internal 25 MHz Oscillator clock in the absence of PCLK 0: Disable 1: Enable |
| | TRFB | 0 | TRFB | RW | 1 | Pixel Clock Edge Select: 0: Parallel Interface Data is strobed on the Falling Clock Edge. 1: Parallel Interface Data is strobed on the Rising Clock Edge. |
| 4 | RESERVED | 7:0 | RESERVED | | 0x80'h | Reserved |
| 5 | I ² C Bus Rate | 7:0 | I ² C BUS RATE | RW | 0x40'h | I ² C SCL frequency is determined by the following: $f_{SCL} = 6.25 \text{ MHz} / \text{Register value (in decimal)}$ 0x40'h = ~100 kHz SCL (default) Note: Register values <0x32'h are NOT supported. |
| 6 | DES ID | 7:1 | DES DEV ID | RW | 0xC0'h | Deserializer Device ID = 0x60'h (1100_000X'b) default |
| | | 0 | RESERVED | | | Reserved |
| 7 | Slave ID | 7:1 | SLAVE DEV ID | RW | 0x00'h | Slave Device ID. Sets remote slave I ² C address. |
| | | 0 | RESERVED | | | Reserved |
| 8 | Reserved | 7:0 | RESERVED | | 0x00'h | Reserved |
| 9 | Reserved | 7:0 | RESERVED | | 0x01'h | Reserved |
| A | Reserved | 7:0 | RESERVED | | 0x00'h | Reserved |
| B | Reserved | 7:0 | RESERVED | | 0x00'h | Reserved |

Table 1. DS90UB903Q Control Registers (continued)

| Addr (Hex) | Name | Bits | Field | R/W | Default | Description |
|------------|-----------------------------|------|--|-----|---------|--|
| C | Reserved | 7:3 | RESERVED | | 0x00'h | Reserved |
| | PCLK Detect | 2 | PCLK DETECT | R | 0 | 1: Valid PCLK detected 0: Valid PCLK not detected |
| | Reserved | 3 | RESERVED | | 0 | Reserved |
| | Cable Link Detect Status | 0 | LINK DETECT | R | 0 | 0: Cable link not detected 1: Cable link detected |
| D | Reserved | 7:0 | RESERVED | | 0x11'h | Reserved |
| E | Reserved | 7:0 | RESERVED | | 0x01'h | Reserved |
| F | Reserved | 7:0 | RESERVED | | 0x03'h | Reserved |
| 10 | Reserved | 7:0 | RESERVED | | 0x03'h | Reserved |
| 11 | Reserved | 7:0 | RESERVED | | 0x03'h | Reserved |
| 12 | Reserved | 7:0 | RESERVED | | 0x03'h | Reserved |
| 13 | General Purpose Control Reg | 7:0 | GPCR[7] GPCR[6] GPCR[5] GPCR[4] GPCR[3] GPCR[2] GPCR[1] GPCR[0] | RW | 0x00'h | 0: LOW 1: HIGH |

Table 2. DS90UB904Q Control Registers

| Addr (Hex) | Name | Bits | Field | R/W | Default | Description |
|------------|----------------------------|------|---------------|-----|-----------------|---|
| 0 | I ² C Device ID | 7:1 | DEVICE ID | RW | 0xC0'h | 7-bit address of Deserializer; 0x60h (1100_000X) default |
| | | 0 | DES ID SEL | | | 0: Device ID is from ID[x] 1: Register I ² C Device ID overrides ID[x] |
| 1 | Reset | 7:3 | RESERVED | | 0x00'h | Reserved |
| | | 2 | REM_WAKEUP | RW | 0 | Remote Wake-up Select 1: Enable Generate remote wakeup signal automatically wake-up the Serializer in Standby mode 0: Disable Puts the Serializer in Standby mode |
| | | 1 | DIGITALRESET0 | RW | 0 self clear | 1: Resets the device to default register values. Does not affect device I ² C Bus or Device ID |
| | | 0 | DIGITALRESET1 | RW | 0 self clear | 1: Digital Reset, retains all register values |

Table 2. DS90UB904Q Control Registers (continued)

| Addr (Hex) | Name | Bits | Field | R/W | Default | Description |
|------------|-------------------------------|------|-------------------------------|-----|---------|---|
| 2 | RESERVED | 7:6 | RESERVED | | 00'b | Reserved |
| | Auto Clock | 5 | AUTO_CLOCK | RW | 0 | 1: Output PCLK or Internal 25 MHz Oscillator clock 0: Only PCLK when valid PCLK present |
| | OSS Select | 4 | OSS_SEL | RW | 0 | Output Sleep State Select 0: Outputs = TRI-STATE, when LOCK = L 1: Outputs = LOW, when LOCK = L |
| | SSCG | 3:0 | SSCG | | 0000'b | SSCG Select 0000: Normal Operation, SSCG OFF (default) 0001: fmod (kHz) PCLK/2168, fdev ±0.50% 0010: fmod (kHz) PCLK/2168, fdev ±1.00% 0011: fmod (kHz) PCLK/2168, fdev ±1.50% 0100: fmod (kHz) PCLK/2168, fdev ±2.00% 0101: fmod (kHz) PCLK/1300, fdev ±0.50% 0110: fmod (kHz) PCLK/1300, fdev ±1.00% 0111: fmod (kHz) PCLK/1300, fdev ±1.50% 1000: fmod (kHz) PCLK/1300, fdev ±2.00% 1001: fmod (kHz) PCLK/868, fdev ±0.50% 1010: fmod (kHz) PCLK/868, fdev ±1.00% 1011: fmod (kHz) PCLK/868, fdev ±1.50% 1100: fmod (kHz) PCLK/868, fdev ±2.00% 1101: fmod (kHz) PCLK/650, fdev ±0.50% 1110: fmod (kHz) PCLK/650, fdev ±1.00% 1111: fmod (kHz) PCLK/650, fdev ±1.50% |
| 3 | RESERVED | 7:6 | RESERVED | | 11'b | Reserved |
| | VDDIO Control | 5 | VDDIO CONTROL | RW | 1 | Auto voltage control 0: Disable 1: Enable (auto detect mode) |
| | VDDIO Mode | 4 | VDDIO MODE | RW | 0 | VDDIO voltage set Only used when VDDIOCONTROL = 0 0: 1.8V 1: 3.3V |
| | I ² C Pass-Through | 3 | I ² C PASS-THROUGH | RW | 1 | I ² C Pass-Through Mode 0: Disabled 1: Enabled |
| | Auto ACK | 2 | AUTO ACK | RW | 0 | 0: Disable 1: Enable |
| | RESERVED | 1 | RESERVED | | 0 | Reserved |
| | RRFB | 0 | RRFB | RW | 1 | Pixel Clock Edge Select 0: Parallel Interface Data is strobed on the Falling Clock Edge 1: Parallel Interface Data is strobed on the Rising Clock Edge. |
| 4 | EQ Control | 7:0 | EQ | RW | 0x00'h | EQ Gain 00'h = ~0.0 dB 01'h = ~4.5 dB 03'h = ~6.5 dB 07'h = ~7.5 dB 0F'h = ~8.0 dB 1F'h = ~11.0 dB 3F'h = ~12.5 dB FF'h = ~14.0 dB |
| 5 | RESERVED | 7:0 | RESERVED | | 0x00'h | Reserved |

Table 2. DS90UB904Q Control Registers (continued)

| Addr (Hex) | Name | Bits | Field | R/W | Default | Description |
|------------|--------------|------|----------------|-----|---------|--|
| 6 | RESERVED | 7 | RESERVED | | 0 | Reserved |
| | SCL Prescale | 6:4 | SCL_PRESCALE | RW | 000'b | Prescales the SCL clock line when reading data byte from a slave device (MODE = 0) 000 : ~100 kHz SCL (default) 001 : ~125 kHz SCL 101 : ~11 kHz SCL 110 : ~33 kHz SCL 111 : ~50 kHz SCL Other values are NOT supported. |
| | Remote NACK | 3 | REM_NACK_TIMER | RW | 1 | Remote NACK Timer Enable In slave mode (MODE = 1) if bit is set the I ² C core will automatically timeout when no acknowledge condition was detected. 1: Enable 0: Disable |
| | Remote NACK | 2:0 | NACK_TIMEOUT | RW | 111'b | Remote NACK Timeout. 000: 2.0 ms 001: 5.2 ms 010: 8.6 ms 011: 11.8 ms 100: 14.4 ms 101: 18.4 ms 110: 21.6 ms 111: 25.0 ms |
| 7 | SER ID | 7:1 | SER DEV ID | RW | 0xB0'h | Serializer Device ID = 0x58'h (1011_000X'b) default |
| | | 0 | RESERVED | | | Reserved |
| 8 | ID[0] Index | 7:1 | ID[0] INDEX | RW | 0x00'h | Target slave Device ID slv_id0 [7:1] |
| | | 0 | RESERVED | | | Reserved |
| 9 | ID[1] Index | 7:1 | ID[1] INDEX | RW | 0x00'h | Target slave Device ID slv_id1 [7:1] |
| | | 0 | RESERVED | | | Reserved |
| A | ID[2] Index | 7:1 | ID[2] INDEX | RW | 0x00'h | Target slave Device ID slv_id2 [7:1] |
| | | 0 | RESERVED | | | Reserved |
| B | ID[3] Index | 7:1 | ID[3] INDEX | RW | 0x00'h | Target slave Device ID slv_id3 [7:1] |
| | | 0 | RESERVED | | | Reserved |
| C | ID[4] Index | 7:1 | ID[4] INDEX | RW | 0x00'h | Target slave Device ID slv_id4 [7:1] |
| | | 0 | RESERVED | | | Reserved |
| D | ID[5] Index | 7:1 | ID[5] INDEX | RW | 0x00'h | Target slave Device ID slv_id5 [7:1] |
| | | 0 | RESERVED | | | Reserved |
| E | ID[6] Index | 7:1 | ID[6] INDEX | RW | 0x00'h | Target slave Device ID slv_id6 [7:1] |
| | | 0 | RESERVED | | | Reserved |
| F | ID[7] Index | 7:1 | ID[7] INDEX | RW | 0x00'h | Target slave Device ID slv_id7 [7:1] |
| | | 0 | RESERVED | | | Reserved |
| 10 | ID[0] Match | 7:1 | ID[0] MATCH | RW | 0x00'h | Alias to match Device ID slv_id0 [7:1] |
| | | 0 | RESERVED | | | Reserved |
| 11 | ID[1] Match | 7:1 | ID[1] MATCH | RW | 0x00'h | Alias to match Device ID slv_id1 [7:1] |
| | | 0 | RESERVED | | | Reserved |
| 12 | ID[2] Match | 7:1 | ID[2] MATCH | RW | 0x00'h | Alias to match Device ID slv_id2 [7:1] |
| | | 0 | RESERVED | | | Reserved |
| 13 | ID[3] Match | 7:1 | ID[3] MATCH | RW | 0x00'h | Alias to match Device ID slv_id3 [7:1] |
| | | 0 | RESERVED | | | Reserved |
| 14 | ID[4] Match | 7:1 | ID[4] MATCH | RW | 0x00'h | Alias to match Device ID slv_id4 [7:1] |
| | | 0 | RESERVED | | | Reserved |

Table 2. DS90UB904Q Control Registers (continued)

| Addr (Hex) | Name | Bits | Field | R/W | Default | Description |
|------------|-----------------------------|------|--|-----|---------|---|
| 15 | ID[5] Match | 7:1 | ID[5] MATCH | RW | 0x00'h | Alias to match Device ID slv_id5 [7:1] |
| | | 0 | RESERVED | | | Reserved |
| 16 | ID[6] Match | 7:1 | ID[6] MATCH | RW | 0x00'h | Alias to match Device ID slv_id6 [7:1] |
| | | 0 | RESERVED | | | Reserved |
| 17 | ID[7] Match | 7:1 | ID[7] MATCH | RW | 0x00'h | Alias to match Device ID slv_id [7:1] |
| | | 0 | RESERVED | | | Reserved |
| 18 | RESERVED | 7:0 | RESERVED | | 0x00'h | Reserved |
| 19 | RESERVED | 7:0 | RESERVED | | 0x01'h | Reserved |
| 1A | RESERVED | 7:0 | RESERVED | | 0x00'h | Reserved |
| 1B | RESERVED | 7:0 | RESERVED | | 0x00'h | Reserved |
| 1C | RESERVED | 7:3 | RESERVED | | 0x00'h | Reserved |
| | RESERVED | 2 | RESERVED | | 0 | Reserved |
| | Signal Detect Status | 1 | | R | 0 | 0: Active signal not detected 1: Active signal detected |
| | LOCK Pin Status | 0 | | R | 0 | 0: CDR/PLL Unlocked 1: CDR/PLL Locked |
| 1D | Reserved | 7:0 | RESERVED | | 0x17'h | Reserved |
| 1E | Reserved | 7:0 | RESERVED | | 0x07'h | Reserved |
| 1F | Reserved | 7:0 | RESERVED | | 0x01'h | Reserved |
| 20 | Reserved | 7:0 | RESERVED | | 0x01'h | Reserved |
| 21 | Reserved | 7:0 | RESERVED | | 0x01'h | Reserved |
| 22 | Reserved | 7:0 | RESERVED | | 0x01'h | Reserved |
| 23 | General Purpose Control Reg | 7:0 | GPCR[7] GPCR[6] GPCR[5] GPCR[4] GPCR[3] GPCR[2] GPCR[1] GPCR[0] | RW | 0x00'h | 0: LOW 1: HIGH |
| 24 | BIST | 0 | BIST_EN | RW | 0 | BIST Enable 0: Normal operation 1: Bist Enable |
| 25 | BIST_ERR | 7:0 | BIST_ERR | R | 0x00'h | Bist Error Counter |
| 26 | Remote Wake Enable | 7:6 | REM_WAKEUP_EN | RW | 00'b | 11: Enable remote wake up mode 00: Normal operation mode Other values are NOT supported |
| | | 5:0 | RESERVED | RW | 0 | Reserved |
| 27 | BCC | 7:6 | BCC | RW | 00'b | 11: Normal operation mode |
| | | 5:0 | RESERVED | | 0 | Reserved |
| 3F | CMLOUT Config | 7:5 | RESERVED | | 0 | Reserved |
| | | 4 | CMLOUT P/N Enable | RW | 1 | 1: Disabled (Default) 0: Enabled |
| | | 3:0 | RESERVED | | 0 | Reserved |

FUNCTIONAL DESCRIPTION

The DS90UB903Q/904Q FPD-Link III chipset is intended for video display applications. The Serializer/Deserializer chipset operates from a 10 MHz to 43 MHz pixel clock frequency. The DS90UB903Q transforms a 21-bit wide parallel LVCMOS data bus along with a bidirectional control bus into a single high-speed differential pair. The high-speed serial bit stream contains an embedded clock and DC-balance information which enhances signal quality to support AC coupling. The DS90UB904Q receives the single serial data stream and converts it back into a 21-bit wide parallel data bus together with the bidirectional control channel data bus.

The control channel function of the DS90UB903Q/904Q provides bidirectional communication between the host processor and display. The integrated control channel transfers data simultaneously over the same differential pair used for video data interface. This interface offers advantages over other chipsets by eliminating the need for additional wires for programming and control. The control supports I²C port. The bidirectional control channel offers asymmetrical communication and is not dependent on video blanking intervals.

DISPLAY APPLICATION

The DS90UB903Q/904Q chipset is intended for interface between a host (graphics processor) and a Display. It supports a 21 bit parallel video bus for 18-bit color depth (RGB666) display format. In a RGB666 configuration, 18 color bits (R[5:0], G[5:0], B[5:0]), Pixel Clock (PCLK) and three control bits (VS, HS and DE) are supported across the serial link.

The DS90UB903Q Serializer accepts a 21-bit parallel data bus along with a bidirectional control bus. The parallel data and bidirectional control channel information is converted into a single differential link. The integrated bidirectional control channel bus supports I2C compatible operation for controlling auxiliary data transport to and from host processor and display module. The DS90UB904Q Deserializer extracts the clock/control information from the incoming data stream and reconstructs the 21-bit data with control channel data.

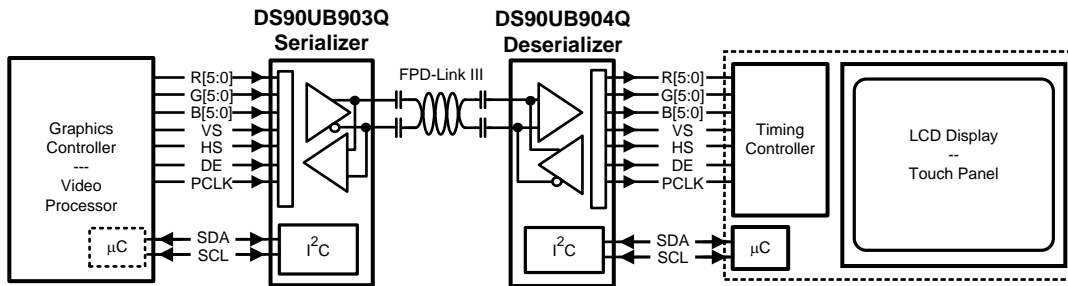


Figure 23. Typical Display System Diagram

SERIAL FRAME FORMAT

The DS90UB903Q/904Q chipset will transmit and receive a pixel of data in the following format:

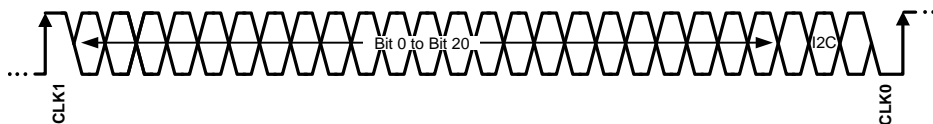


Figure 24. Serial Bitstream for 28-bit Symbol

The High Speed Forward Channel is a 28-bit symbol composed of 21 bits of data containing video data & control information transmitted from Serializer to Deserializer. CLK1 and CLK0 represent the embedded clock in the serial stream. CLK1 is always HIGH and CLK0 is always LOW. This data payload is optimized for signal transmission over an AC coupled link. Data is randomized, balanced and scrambled.

The bidirectional control channel data is transferred along with the high-speed forward data over the same serial link. This architecture provides a full duplex low speed forward channel across the serial link together with a high speed forward channel without the dependence of the video blanking phase.

DESCRIPTION OF BIDIRECTIONAL CONTROL BUS AND I2C MODES

The I²C compatible interface allows programming of the DS90UB903Q, DS90UB904Q, or an external remote device (such as a display) through the bidirectional control channel. Register programming transactions to/from the DS90UB903Q/904Q chipset are employed through the clock (SCL) and data (SDA) lines. These two signals have open-drain I/Os and both lines must be pulled-up to VDDIO by external resistor. Figure 4 shows the timing relationships of the clock (SCL) and data (SDA) signals. Pull-up resistors or current sources are required on the SCL and SDA busses to pull them high when they are not being driven low. A logic zero is transmitted by driving the output low. A logic high is transmitted by releasing the output and allowing it to be pulled-up externally. The appropriate pull-up resistor values will depend upon the total bus capacitance and operating speed. The DS90UB903Q/904Q I²C bus data rate supports up to 100 kbps according to I²C specification.

To start any data transfer, the DS90UB903Q/904Q must be configured in the proper I²C mode. Each device can function as an I²C slave proxy or master proxy depending on the mode determined by MODE pin. The Ser/Des interface acts as a virtual bridge between Master Controller Unit (MCU) and the remote device. When the MODE pin is set to High, the device is treated as a slave proxy; acts as a slave on behalf of the remote slave. When addressing a remote peripheral or Serializer/Deserializer (not wired directly to the MCU), the slave proxy will forward any byte transactions sent by the Master controller to the target device. When MODE pin is set to Low, the device will function as a master proxy device; acts as a master on behalf of the I²C master controller. Note that the devices must have complementary settings for the MODE configuration. For example, if the Serializer MODE pin is set to High then the Deserializer MODE pin must be set to Low and vice-versa.

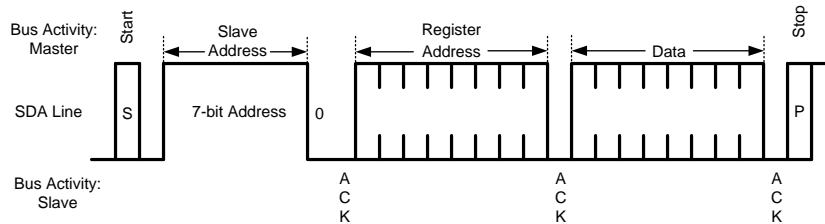


Figure 25. Write Byte

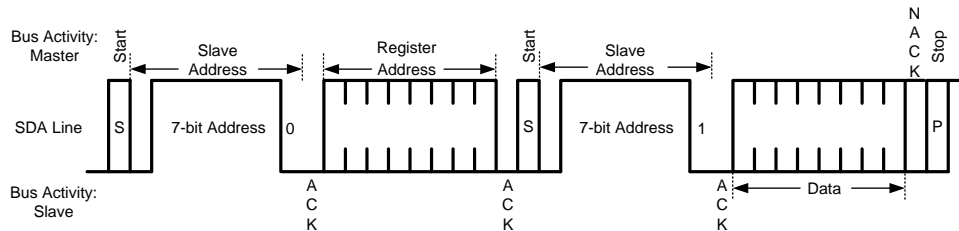


Figure 26. Read Byte

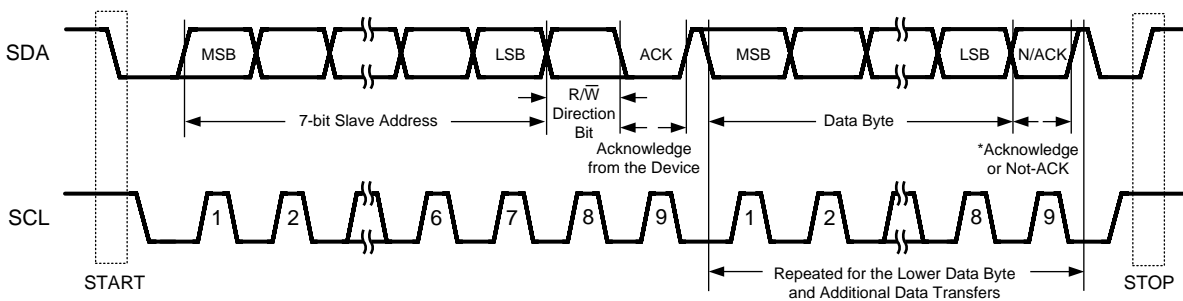


Figure 27. Basic Operation

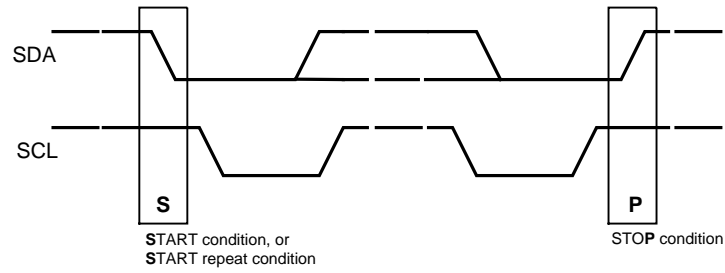


Figure 28. START and STOP Conditions

SLAVE CLOCK STRETCHING

In order to communicate and synchronize with remote devices on the I²C bus through the bidirectional control channel, slave clock stretching must be supported by the I²C master controller/MCU. The chipset utilizes bus clock stretching (holding the SCL line low) during data transmission; where the I²C slave pulls the SCL line low prior to the 9th clock of every I²C data transfer (before the ACK signal). The slave device will not control the clock and only stretches it until the remote peripheral has responded.

Any remote access involves the clock stretching period following the transmitted byte, prior to completion of the acknowledge bit. Since each byte transferred to the I²C slave must be acknowledged separately, the clock stretching will be done for each byte sent by the host controller. For remote accesses, the “Response Delay” shown is on the order of 12 μs (typical). See Application Note AN-2173 (SNLA131) for more details.

ID[X] ADDRESS DECODER

The ID[x] pin is used to decode and set the physical slave address of the Serializer/Deserializer (I²C only) to allow up to six devices on the bus using only a single pin. The pin sets one of six possible addresses for each Serializer/Deserializer device. The pin must be pulled to VDD (1.8V, NOT VDDIO)) with a 10 kΩ resistor and a pull down resistor (RID) of the recommended value to set the physical device address. The recommended maximum resistor tolerance is 0.1% worst case (0.2% total tolerance).

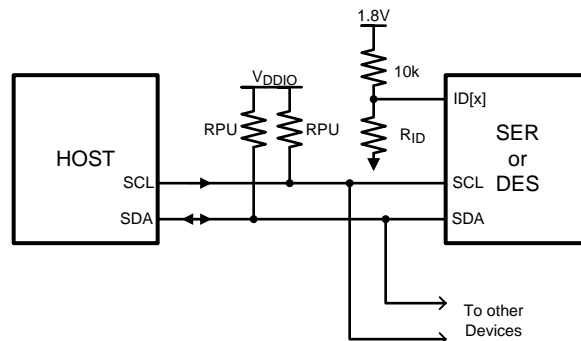


Figure 29. Bidirectional Control Bus Connection

Table 3. ID[x] Resistor Value – DS90UB903Q

| ID[x] Resistor Value - DS90UB903Q Ser | | |
|---------------------------------------|----------------------------|--------------------------------|
| Resistor RID Ω (±0.1%) | Address 7'b ⁽¹⁾ | Address 8'b 0 appended (WRITE) |
| 0, GND | 7b' 101 1000 (h'58) | 8b' 1011 0000 (h'B0) |
| 2.0k | 7b' 101 1001 (h'59) | 8b' 1011 0010 (h'B2) |
| 4.7k | 7b' 101 1010 (h'5A) | 8b' 1011 0100 (h'B4) |
| 8.2k | 7b' 101 1011 (h'5B) | 8b' 1011 0110 (h'B6) |
| 12.1k | 7b' 101 1100 (h'5C) | 8b' 1011 1000 (h'B8) |
| 39.0k | 7b' 101 1110 (h'5E) | 8b' 1011 1100 (h'BC) |

(1) Specification is ensured by design.

Table 4. ID[x] Resistor Value – DS90UB904Q

| ID[x] Resistor Value - DS90UB904Q Des | | |
|---------------------------------------|----------------------------|--------------------------------|
| Resistor RID Ω ($\pm 0.1\%$) | Address 7'b ⁽¹⁾ | Address 8'b 0 appended (WRITE) |
| 0, GND | 7b' 110 0000 (h'60) | 8b' 1100 0000 (h'C0) |
| 2.0k | 7b' 110 0001 (h'61) | 8b' 1100 0010 (h'C2) |
| 4.7k | 7b' 110 0010 (h'62) | 8b' 1100 0100 (h'C4) |
| 8.2k | 7b' 110 0011 (h'63) | 8b' 1101 0110 (h'C6) |
| 12.1k | 7b' 110 0100 (h'64) | 8b' 1101 1000 (h'C8) |
| 39.0k | 7b' 110 0110 (h'66) | 8b' 1100 1100 (h'CC) |

(1) Specification is ensured by design.

CAMERA MODE OPERATION

In Camera mode, I²C transactions originate from the Deserializer from the Master controller (Figure 30). The I²C slave core in the Deserializer will detect if a transaction is intended for the Serializer or a slave at the Serializer. Commands are sent over the bidirectional control channel to initiate the transactions. The Serializer will receive the command and generate an I²C transaction on its local I²C bus. At the same time, the Serializer will capture the response on the I²C bus and return the response as a command on the forward channel link. The Deserializer parses the response and passes the appropriate response to the Deserializer I²C bus.

To configure the devices for camera mode operation, set the Serializer MODE pin to Low and the Deserializer MODE pin to High. Before initiating any I²C commands, the Deserializer needs to be programmed with the target slave device addresses and Serializer device address. SER_DEV_ID Register 0x07h sets the Serializer device address and SLAVE_x_MATCH/SLAVE_x_INDEX registers 0x08h~0x17h set the remote target slave addresses. The slave address match registers must also be set. In slave mode the address register is compared with the address byte sent by the I²C master. If the addresses are equal to any of registers values, the I²C slave will acknowledge the transaction to the I²C master allowing reads or writes to target device.

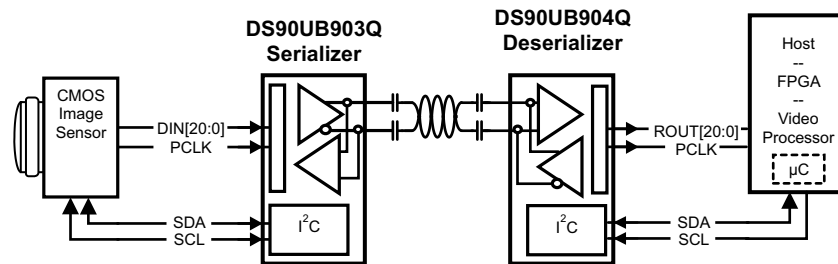


Figure 30. Typical Camera System Diagram

DISPLAY MODE OPERATION

In Display mode, I²C transactions originate from the controller attached to the Serializer. The I²C slave core in the Serializer will detect if a transaction targets (local) registers within the Serializer or the (remote) registers within the Deserializer or a remote slave connected to the I²C master interface of the Deserializer. Commands are sent over the forward channel link to initiate the transactions. The Deserializer will receive the command and generate an I²C transaction on its local I²C bus. At the same time, the Deserializer will capture the response on the I²C bus and return the response as a command on the bidirectional control channel. The Serializer parses the response and passes the appropriate response to the Serializer I²C bus.

The physical device ID of the I²C slave in the Serializer is determined by the analog voltage on the ID[x] input. It can be reprogrammed by using the SER_DEV_ID register and setting the bit . The device ID of the logical I²C slave in the Deserializer is determined by programming the DES ID in the Serializer. The state of the ID[x] input on the Deserializer is used to set the device ID. The I²C transactions between Ser/Des will be bridged between the host to the remote slave.

To configure the devices for display mode operation, set the Serializer MODE pin to High and the Deserializer MODE pin to Low. Before initiating any I²C commands, the Serializer needs to be programmed with the target slave device address and Serializer device address. DES_DEV_ID Register 0x06h sets the Deserializer device address and SLAVE_DEV_ID register 0x7h sets the remote target slave address. If the I²C slave address matches any of registers values, the I²C slave will acknowledge the transaction allowing read or write to target device. Note: In Display mode operation, registers 0x08h~0x17h on Deserializer must be reset to 0x00.

PROGRAMMABLE CONTROLLER

An integrated I²C slave controller is embedded in each of the DS90UB903Q Serializer and DS90UB904Q Deserializer. It must be used to access and program the extra features embedded within the configuration registers. Refer to [Table 1](#) and [Table 2](#) for details of control registers.

I²C PASS THROUGH

I²C pass-through provides an alternative means to independently address slave devices. The mode enables or disables I²C bidirectional control channel communication to the remote I²C bus. This option is used to determine whether or not an I²C instruction is to be transferred over to the remote I²C device. When enabled, the I²C bus traffic will continue to pass through and will be received by I²C devices downstream. If disabled, I²C commands will be excluded to the remote I²C device. The pass through function also provides access and communication to only specific devices on the remote bus. The feature is effective for both Camera mode and Display mode.

SYNCHRONIZING MULTIPLE LINKS

For applications requiring synchronization across multiple links, it is recommended to utilize the General Purpose Input/Output (GPI/GPO) pins to transmit control signals to synchronize slave peripherals together. To synchronize the peripherals properly, the system controller needs to provide a sync signal output. Note this form of synchronization timing relationship has a non-deterministic latency. After the control data is reconstructed from the bidirectional control channel, there will be a time variation of the GPI/GPO signals arriving at the different target devices (between the parallel links). The maximum latency delta (t_1) of the GPI/GPO data transmitted across multiple links is 25 us.

Note: The user must verify that the timing variations between the different links are within their system and timing specifications.

The maximum time (t_1) between the rising edge of GPI/GPO (i.e. sync signal) arriving at SER A and SER B is 25 us.

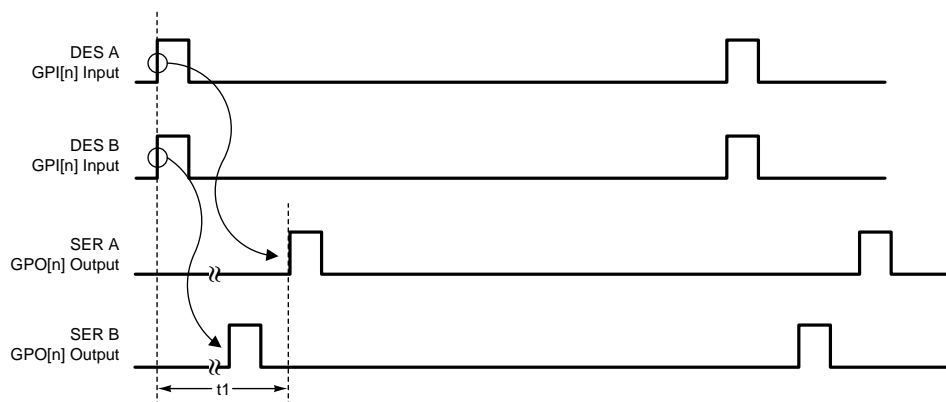


Figure 31. GPI/GPO Delta Latency

GENERAL PURPOSE I/O (GPI/GPO)

The DS90UB903Q/904Q has up to 4 GPO and 4 GPI on the Serializer and Deserializer respectively. The GPI/GPO maximum switching rate is up to 66 kHz for communication between Deserializer GPI to Serializer GPO.

AT-SPEED BIST (BISTEN, PASS)

An optional AT SPEED Built in Self Test (BIST) feature supports at speed testing of the high-speed serial and the bidirectional control channel link. Control pins at the Deserializer are used to enable the BIST test mode and allow the system to initiate the test and set the duration. A HIGH on PASS pin indicates that all payloads received during the test were error free during the BIST duration test. A LOW on this pin at the conclusion of the test indicates that one or more payloads were detected with errors.

The BIST duration is defined by the width of BISTEN. BIST starts when Deserializer LOCK goes HIGH and BISTEN is set HIGH. BIST ends when BISTEN goes LOW. Any errors detected after the BIST Duration are not included in PASS logic.

Note: AT-SPEED BIST is only available in the Camera mode and not the Display mode

The following diagram shows how to perform system AT SPEED BIST:

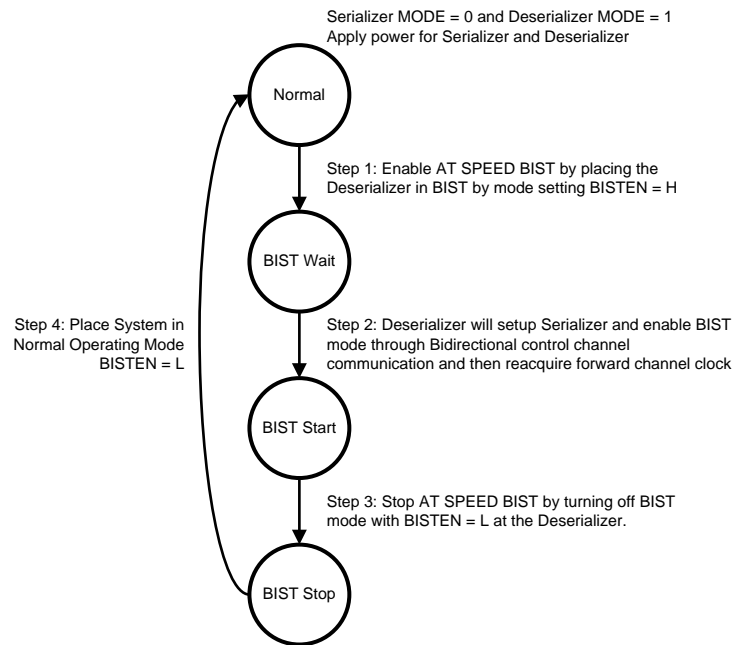


Figure 32. AT-SPEED BIST System Flow Diagram

Step 1: Place the Deserializer in BIST Mode.

Serializer and Deserializer power supply must be supplied. Enable the AT SPEED BIST mode on the Deserializer by setting the BISTEN pin High. The 904 GPI[1:0] pins are used to select the PCLK frequency of the on-chip oscillator for the BIST test on high speed data path.

Table 5. BIST Oscillator Frequency Select

| Des GPI[1:0] | Oscillator Source | min (MHz) | typ (MHz) | max (MHz) |
|--------------|-------------------|-----------|-----------|-----------|
| 00 | External PCLK | 10 | | 43 |
| 01 | Internal | | 50 | |
| 10 | Internal | | 25 | |
| 11 | Internal | | 12.5 | |

The Deserializer GPI[1:0] set to 00 will bypass the on-chip oscillator and an external oscillator to Serializer PCLK input is required. This allows the user to operate BIST under different frequencies other than the predefined ranges.

Step 2: Enable AT SPEED BIST by placing the Serializer into BIST mode.

Deserializer will communicate through the bidirectional control channel to configure Serializer into BIST mode. Once the BIST mode is set, the Serializer will initiate BIST transmission to the Deserializer.

Wait 10 ms for Deserializer to acquire lock and then monitor the LOCK pin transition from LOW to HIGH. At this point, AT SPEED BIST is operational and the BIST process has begun. The Serializer will start transfer of an internally generated PRBS data pattern through the high speed serial link. This pattern traverses across the interconnecting link to the Deserializer. Check the status of the PASS pin; a HIGH indicates a pass, a LOW indicates a fail. A fail will stay LOW for 1/2 a clock cycle. If two or more bits in the serial frame fail, the PASS pin will toggle 1/2 clock cycle HIGH and 1/2 clock cycle low. The user can use the PASS pin to count the number of fails on the high speed link. In addition, there is a defined SER and DES register that will keep track of the accumulated error count. The Serializer 903 GPO[0] pin will be assigned as a PASS flag error indicator for the bidirectional control channel link.

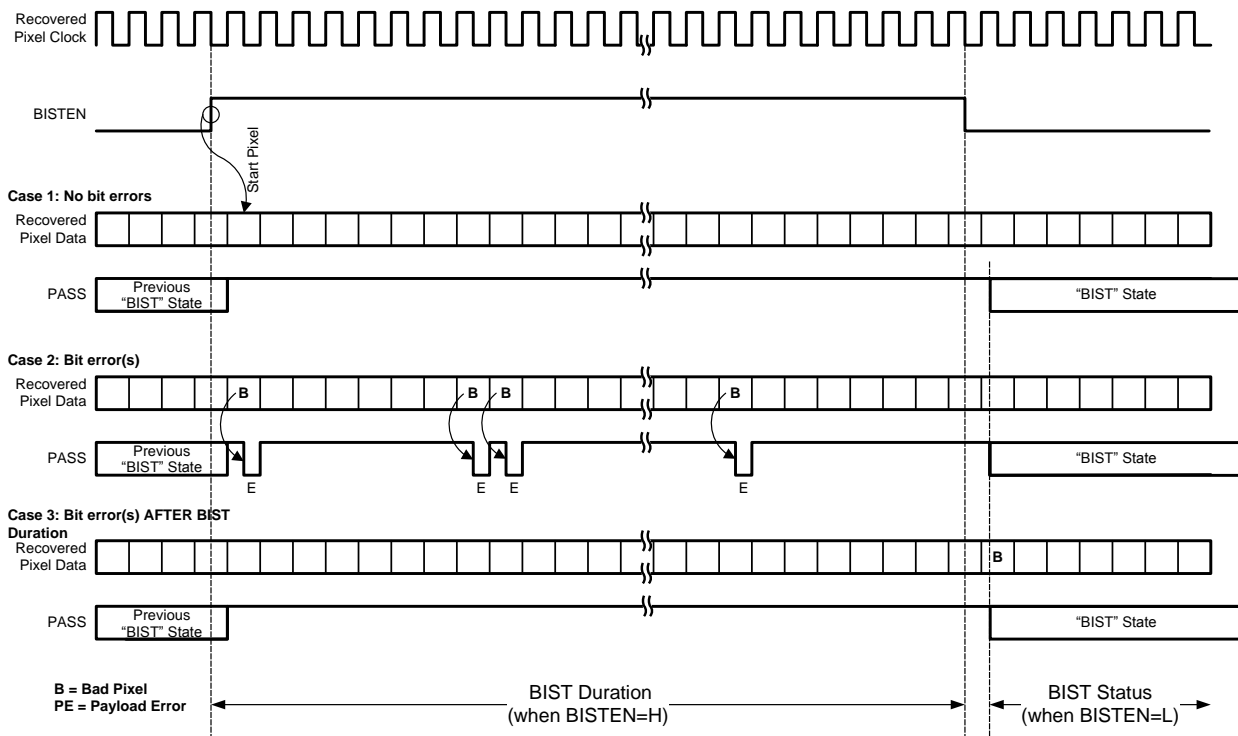


Figure 33. BIST Timing Diagram

Step 3: Stop at SPEED BIST by turning off BIST mode in the Deserializer to determine Pass/Fail.

To end BIST, the system must pull BISTEN pin of the Deserializer LOW. The BIST duration is fully defined by the BISTEN width and Deserializer LOCK is HIGH; thus the Bit Error Rate is determined by how long the system holds BISTEN HIGH.

$$\frac{\text{BIST Duration (s)}}{1 \text{ Pixel period (ns)} \times \text{Total Bits}} = \text{BIST Duration (s)} \times \frac{f_{\text{pixel}} \text{ (MHz)}}{\text{Pixel}} \times \text{Total Pixels Transmitted} = \text{Total Bits Transmitted}$$

$$\begin{aligned} \bullet \bullet \quad \text{Bit (Pixel) Error Rate} &= [\text{Total Bits Transmitted}]^{-1} \\ &\text{(for passing BIST)} \\ &= [\text{Total Bits Transmitted} \times \text{Bits/Pixel}]^{-1} \end{aligned}$$

Figure 34. BIST BER Calculation

Step 4: Place system in Normal Operating Mode by disabling BIST at the Serializer.

Once Step 3 is complete, AT SPEED BIST is over and the Deserializer is out of BIST mode. To fully return to Normal mode, apply Normal input data into the Serializer.

Any PASS result will remain unless it is changed by a new BIST session or cleared by asserting and releasing PDB. The default state of PASS after a PDB toggle is HIGH.

It is important to note that AT SPEED BIST will only determine if there is an issue on the link that is not related to the clock and data recovery of the link (whose status is flagged with LOCK pin).

LVC MOS VDDIO OPTION

1.8V or 3.3V SER Inputs and DES Outputs are user selectable to provide compatibility with 1.8V and 3.3V system interfaces.

REMOTE WAKE UP (Camera Mode)

After initial power up, the Serializer is in a low-power Standby mode. The Deserializer (controlled by ECU/MCU) 'Remote Wake-up' register allows the Deserializer side to generate a signal across the link to remotely wake-up the Serializer. Once the Serializer detects the wake-up signal Serializer switches from Standby mode to active mode. In active mode, the Serializer locks onto PCLK input (if present), otherwise the on-chip oscillator is used as the input clock source. Note the MCU controller should monitor the Deserializer LOCK pin and confirm LOCK = H before performing any I²C communication across the link.

For Remote Wake-up to function properly:

- The chipset needs to be configured in Camera mode: Serializer MODE = 0 and Deserializer MODE = 1
- Serializer expects remote wake-up by default at power on.
- Configure the control channel driver of the Deserializer to be in remote wake-up mode by setting Deserializer Register 0x26h = 0xC0h
- Perform remote wake-up on Serializer by setting Deserializer Register 0x01 b[2] = 1
- Return the control channel driver of the Deserializer to the normal operation mode by setting Deserializer Register 0x26h = 0x00h
- Configure the control channel driver of the Deserializer to be in normal operation mode by setting Deserializer Register 0x27h = 0xC0h.

Serializer can also be put into standby mode by programming the Deserializer remote wake-up control register 0x01 b[2] REM_WAKEUP to 0.

POWERDOWN

The SER has a PDB input pin to ENABLE or Powerdown the device. The modes can be controlled by the host and is used to disable the Link to save power when the remote device is not operational. An auto mode is also available. In this mode, the PDB pin is tied High and the SER switches over to an internal oscillator when the PCLK stops or not present. When a PCLK starts again, the SER will then lock to the valid input PCLK and transmits the data to the DES. In powerdown mode, the high-speed driver outputs are static (High).

The DES has a PDB input pin to ENABLE or Powerdown the device. This pin can be controlled by the system and is used to disable the DES to save power. An auto mode is also available. In this mode, the PDB pin is tied High and the DES will enter powerdown when the serial stream stops. When the serial stream starts up again, the DES will lock to the input stream and assert the LOCK pin and output valid data. In powerdown mode, the Data and PCLK outputs are set by the OSS_SEL control register.

POWER UP REQUIREMENTS AND PDB PIN

It is required to delay and release the PDB input signal after VDD (VDDn and VDDIO) power supplies have settled to the recommended operating voltages. A external RC network can be connected to the PDB pin to ensure PDB arrives after all the VDD have stabilized.

SIGNAL QUALITY ENHANCERS

Des - Receiver Input Equalization (EQ)

The receiver inputs provided input equalization filter in order to compensate for loss from the media. The level of equalization is controlled via register setting. Note this function can be observed at the CMLOUTP/N test port enabled via the control registers.

EMI REDUCTION

Des - Receiver Staggered Output

The Receiver staggered outputs allows for outputs to switch in a random distribution of transitions within a defined window. Outputs transitions are distributed randomly. This minimizes the number of outputs switching simultaneously and helps to reduce supply noise. In addition it spreads the noise spectrum out reducing overall EMI.

Des Spread Spectrum Clocking

The DS90UB904Q parallel data and clock outputs have programmable SSCG ranges from 9 kHz–66 kHz and $\pm 0.5\%$ – $\pm 2\%$ from 20 MHz to 43 MHz. The modulation rate and modulation frequency variation of output spread is controlled through the SSC control registers.

PIXEL CLOCK EDGE SELECT (TRFB/RRFB)

The TRFB/RRFB selects which edge of the Pixel Clock is used. For the SER, this register determines the edge that the data is latched on. If TRFB register is 1, data is latched on the Rising edge of the PCLK. If TRFB register is 0, data is latched on the Falling edge of the PCLK. For the DES, this register determines the edge that the data is strobed on. If RRFB register is 1, data is strobed on the Rising edge of the PCLK. If RRFB register is 0, data is strobed on the Falling edge of the PCLK.

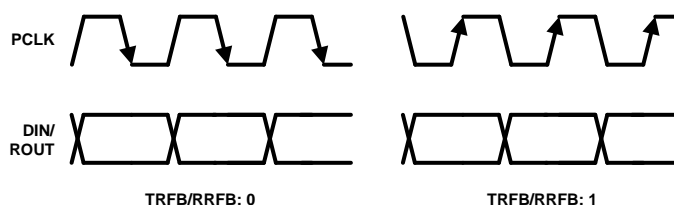


Figure 35. Programmable PCLK Strobe Select

APPLICATIONS INFORMATION

AC COUPLING

The SER/DES supports only AC-coupled interconnects through an integrated DC balanced decoding scheme. External AC coupling capacitors must be placed in series in the FPD-Link III signal path as illustrated in Figure 36.

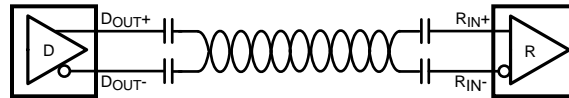


Figure 36. AC-Coupled Connection

For high-speed FPD-Link III transmissions, the smallest available package should be used for the AC coupling capacitor. This will help minimize degradation of signal quality due to package parasitics. The I/O's require a 100 nF AC coupling capacitors to the line.

TYPICAL APPLICATION CONNECTION

Figure 37 shows a typical connection of the DS90UB903Q Serializer.

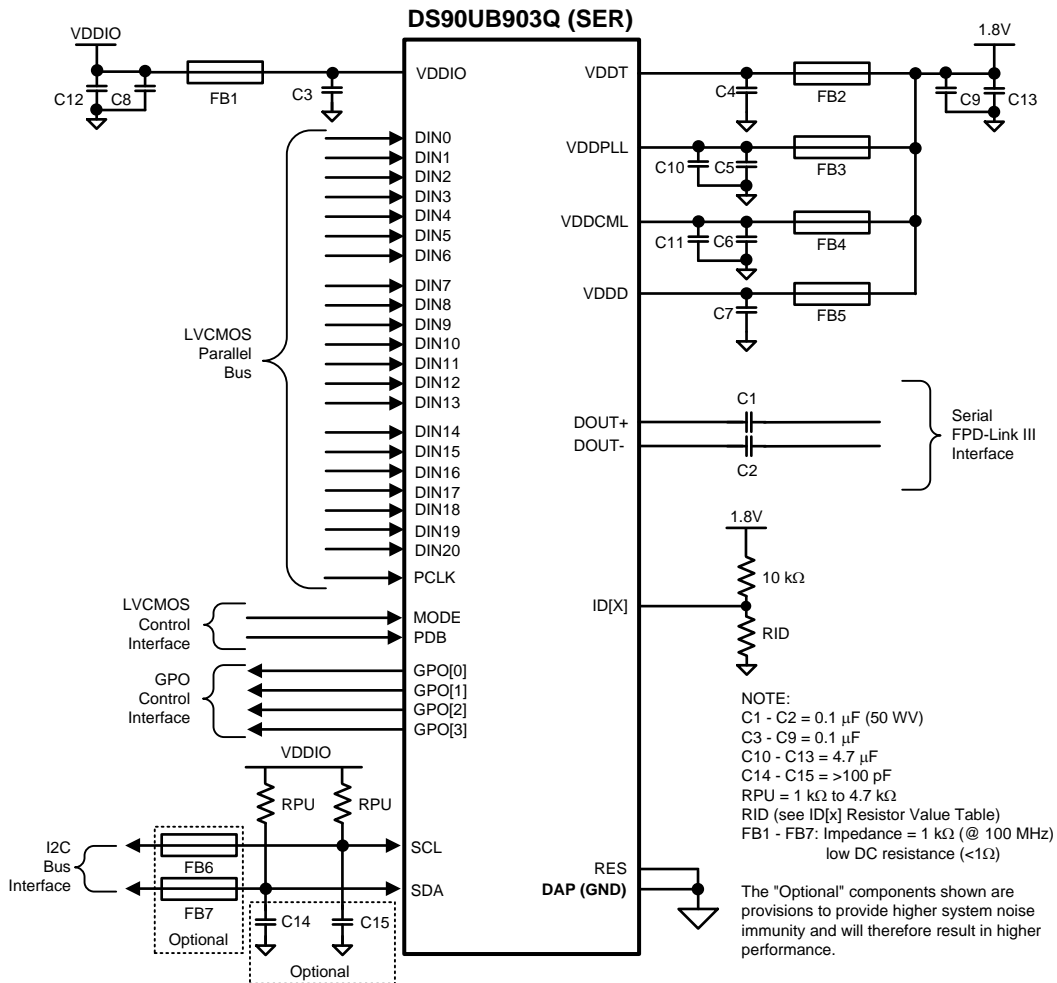


Figure 37. DS90UB903Q Typical Connection Diagram — Pin Control

Figure 38 shows a typical connection of the DS90UB904Q Deserializer.

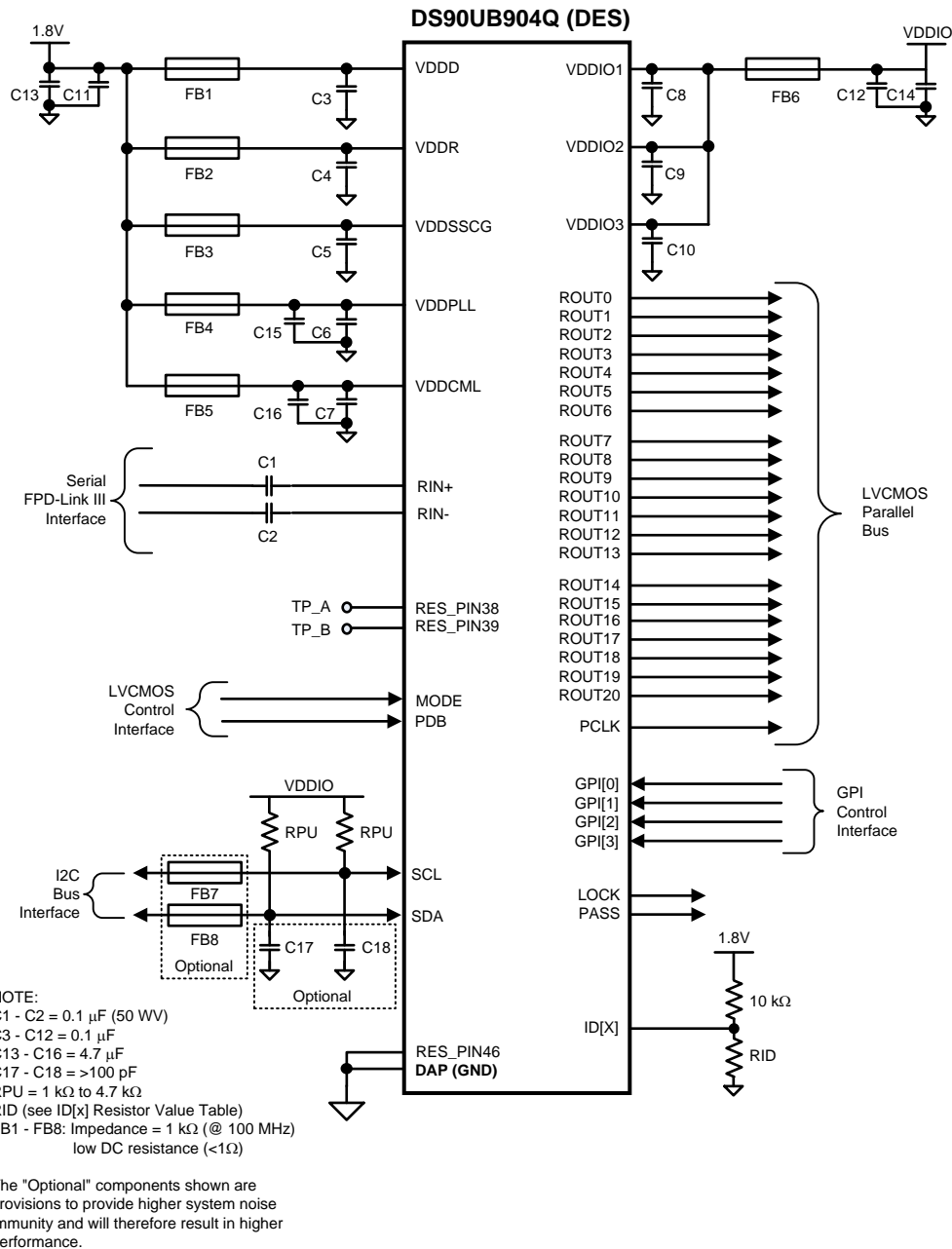


Figure 38. DS90UB904Q Typical Connection Diagram — Pin Control

TRANSMISSION MEDIA

The Ser/Des chipset is intended to be used over a wide variety of balanced cables depending on distance and signal quality requirements. The Ser/Des employ internal termination providing a clean signaling environment. The interconnect for FPD-Link III interface should present a differential impedance of 100 Ohms. Use of cables and connectors that have matched differential impedance will minimize impedance discontinuities. Shielded or un-shielded cables may be used depending upon the noise environment and application requirements. The chipset's optimum cable drive performance is achieved at 43 MHz at 10 meters length. The maximum signaling

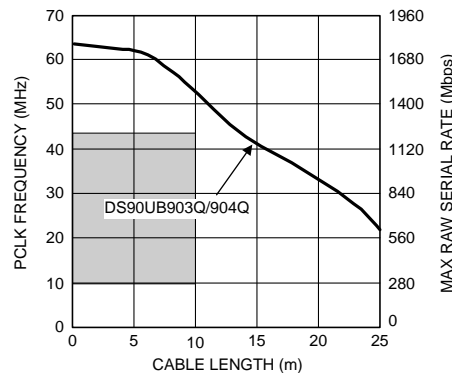
rate increases as the cable length decreases. Therefore, the chipset supports 50 MHz at shorter distances. Other cable parameters that may limit the cable's performance boundaries are: cable attenuation, near-end crosstalk and pair-to-pair skew. The maximum length of cable that can be used is dependant on the quality of the cable (gauge, impedance), connector, board (discontinuities, power plane), the electrical environment (e.g. power stability, ground noise, input clock jitter, PCLK frequency, etc.) and the application environment.

The resulting signal quality at the receiving end of the transmission media may be assessed by monitoring the differential eye opening of the CMLOUT P/N output. A differential probe should be used to measure across the termination resistor at the CMLOUT P/N pins.

For obtaining optimal performance, we recommend:

- Use Shielded Twisted Pair (STP) cable
- 100Ω differential impedance and 24 AWG (or lower AWG) cable
- Low skew, impedance matched
- Ground and/or terminate unused conductors

Figure 39 shows the Typical Performance Characteristics demonstrating various lengths and data rates using Rosenberger HSD and Leoni DACAR 538 Cable.



*Note: Equalization is enabled for cable lengths greater than 7 meters

Figure 39. Rosenberger HSD & Leoni DACAR 538 Cable Performance

PCB LAYOUT AND POWER SYSTEM CONSIDERATIONS

Circuit board layout and stack-up for the Ser/Des devices should be designed to provide low-noise power feed to the device. Good layout practice will also separate high frequency or high-level inputs and outputs to minimize unwanted stray noise pickup, feedback and interference. Power system performance may be greatly improved by using thin dielectrics (2 to 4 mils) for power / ground sandwiches. This arrangement provides plane capacitance for the PCB power system with low-inductance parasitics, which has proven especially effective at high frequencies, and makes the value and placement of external bypass capacitors less critical. External bypass capacitors should include both RF ceramic and tantalum electrolytic types. RF capacitors may use values in the range of 0.01 uF to 0.1 uF. Tantalum capacitors may be in the 2.2 uF to 10 uF range. Voltage rating of the tantalum capacitors should be at least 5X the power supply voltage being used.

Surface mount capacitors are recommended due to their smaller parasitics. When using multiple capacitors per supply pin, locate the smaller value closer to the pin. A large bulk capacitor is recommend at the point of power entry. This is typically in the 50uF to 100uF range and will smooth low frequency switching noise. It is recommended to connect power and ground pins directly to the power and ground planes with bypass capacitors connected to the plane with via on both ends of the capacitor. Connecting power or ground pins to an external bypass capacitor will increase the inductance of the path.

A small body size X7R chip capacitor, such as 0603, is recommended for external bypass. Its small body size reduces the parasitic inductance of the capacitor. The user must pay attention to the resonance frequency of these external bypass capacitors, usually in the range of 20-30 MHz. To provide effective bypassing, multiple capacitors are often used to achieve low impedance between the supply rails over the frequency of interest. At high frequency, it is also a common practice to use two vias from power and ground pins to the planes, reducing the impedance at high frequency.

Some devices provide separate power for different portions of the circuit. This is done to isolate switching noise effects between different sections of the circuit. Separate planes on the PCB are typically not required. Pin Description tables typically provide guidance on which circuit blocks are connected to which power pin pairs. In some cases, an external filter may be used to provide clean power to sensitive circuits such as PLLs.

Use at least a four layer board with a power and ground plane. Locate LVCMOS signals away from the differential lines to prevent coupling from the LVCMOS lines to the differential lines. Closely-coupled differential lines of 100 Ohms are typically recommended for differential interconnect. The closely coupled lines help to ensure that coupled noise will appear as common-mode and thus is rejected by the receivers. The tightly coupled lines will also radiate less.

Information on the WQFN style package is provided in Application Note: AN-1187 “*Leadless Leadframe Package (LLP) Application Report*” (literature number [SNOA401](#)).

INTERCONNECT GUIDELINES

See AN-1108 ([SNLA008](#)) and AN-905 ([SNLA035](#)) for full details.

- Use 100Ω coupled differential pairs
- Use the S/2S/3S rule in spacings
 - S = space between the pair
 - 2S = space between pairs
 - 3S = space to LVCMOS signal
- Minimize the number of Vias
- Use differential connectors when operating above 500Mbps line speed
- Maintain balance of the traces
- Minimize skew within the pair

Additional general guidance can be found in the LVDS Owner's Manual - available in PDF format from the Texas Instruments web site at: www.ti.com/lvds

Revision History

04/16/2012

- Added CMLOUT P/N in DS90UB904Q Deserializer Pin Descriptions
- Added ESD CDM and ESD MM values
- Added 3.3V I/O VOH conditions: IOH = -4 mA
- Corrected 3.3V I/O VOL conditions: IOL = +4 mA
- Changed NSID DS90UB903/904QSQX to qty 2500
- Added “Only used when VDDIOCONTROL = 0” note for UB904 Register 0x03 bit[4] description
- Added Register 0x27 BCC in UB904 Register table
- Added Register 0x3F CML Output in UB904 Register table
- Updated SLAVE CLOCK STRETCHING in Functional Description section
- Updated REMOTE WAKE UP (Camera Mode) procedure in Functional Description section
- Updated Des - Receiver Input Equalization (EQ) in Functional Description section
- Updated TRANSMISSION MEDIA in Applications Information section

REVISION HISTORY

| Changes from Revision D (April 2013) to Revision E | Page |
|--|--------------------|
| • Changed layout of National Data Sheet to TI format | 37 |

PACKAGING INFORMATION

| Orderable Device | Status (1) | Package Type | Package Drawing | Pins | Package Qty | Eco Plan (2) | Lead/Ball Finish (6) | MSL Peak Temp (3) | Op Temp (°C) | Device Marking (4/5) | Samples |
|--------------------|---------------|--------------|-----------------|------|-------------|-------------------------|-------------------------|----------------------|--------------|-------------------------|-------------------------|
| DS90UB903QSQ/NOPB | ACTIVE | WQFN | RTA | 40 | 1000 | Green (RoHS & no Sb/Br) | SN | Level-3-260C-168 HR | -40 to 105 | UB903QSQ | Samples |
| DS90UB903QSQE/NOPB | ACTIVE | WQFN | RTA | 40 | 250 | Green (RoHS & no Sb/Br) | SN | Level-3-260C-168 HR | -40 to 105 | UB903QSQ | Samples |
| DS90UB903QSQX/NOPB | ACTIVE | WQFN | RTA | 40 | 2500 | Green (RoHS & no Sb/Br) | SN | Level-3-260C-168 HR | -40 to 105 | UB903QSQ | Samples |
| DS90UB904QSQ/NOPB | ACTIVE | WQFN | RHS | 48 | 1000 | Green (RoHS & no Sb/Br) | SN | Level-3-260C-168 HR | -40 to 105 | UB904QSQ | Samples |
| DS90UB904QSQE/NOPB | ACTIVE | WQFN | RHS | 48 | 250 | Green (RoHS & no Sb/Br) | SN | Level-3-260C-168 HR | -40 to 105 | UB904QSQ | Samples |
| DS90UB904QSQX/NOPB | ACTIVE | WQFN | RHS | 48 | 2500 | Green (RoHS & no Sb/Br) | SN | Level-3-260C-168 HR | -40 to 105 | UB904QSQ | Samples |

(1) The marketing status values are defined as follows:

ACTIVE: Product device recommended for new designs.

LIFEBUY: TI has announced that the device will be discontinued, and a lifetime-buy period is in effect.

NRND: Not recommended for new designs. Device is in production to support existing customers, but TI does not recommend using this part in a new design.

PREVIEW: Device has been announced but is not in production. Samples may or may not be available.

OBSOLETE: TI has discontinued the production of the device.

(2) **RoHS:** TI defines "RoHS" to mean semiconductor products that are compliant with the current EU RoHS requirements for all 10 RoHS substances, including the requirement that RoHS substance do not exceed 0.1% by weight in homogeneous materials. Where designed to be soldered at high temperatures, "RoHS" products are suitable for use in specified lead-free processes. TI may reference these types of products as "Pb-Free".

RoHS Exempt: TI defines "RoHS Exempt" to mean products that contain lead but are compliant with EU RoHS pursuant to a specific EU RoHS exemption.

Green: TI defines "Green" to mean the content of Chlorine (Cl) and Bromine (Br) based flame retardants meet JS709B low halogen requirements of <=1000ppm threshold. Antimony trioxide based flame retardants must also meet the <=1000ppm threshold requirement.

(3) MSL, Peak Temp. - The Moisture Sensitivity Level rating according to the JEDEC industry standard classifications, and peak solder temperature.

(4) There may be additional marking, which relates to the logo, the lot trace code information, or the environmental category on the device.

(5) Multiple Device Markings will be inside parentheses. Only one Device Marking contained in parentheses and separated by a "~" will appear on a device. If a line is indented then it is a continuation of the previous line and the two combined represent the entire Device Marking for that device.

⁽⁶⁾ Lead/Ball Finish - Orderable Devices may have multiple material finish options. Finish options are separated by a vertical ruled line. Lead/Ball Finish values may wrap to two lines if the finish value exceeds the maximum column width.

Important Information and Disclaimer:The information provided on this page represents TI's knowledge and belief as of the date that it is provided. TI bases its knowledge and belief on information provided by third parties, and makes no representation or warranty as to the accuracy of such information. Efforts are underway to better integrate information from third parties. TI has taken and continues to take reasonable steps to provide representative and accurate information but may not have conducted destructive testing or chemical analysis on incoming materials and chemicals. TI and TI suppliers consider certain information to be proprietary, and thus CAS numbers and other limited information may not be available for release.

In no event shall TI's liability arising out of such information exceed the total purchase price of the TI part(s) at issue in this document sold by TI to Customer on an annual basis.

TAPE AND REEL INFORMATION

QUADRANT ASSIGNMENTS FOR PIN 1 ORIENTATION IN TAPE


*All dimensions are nominal

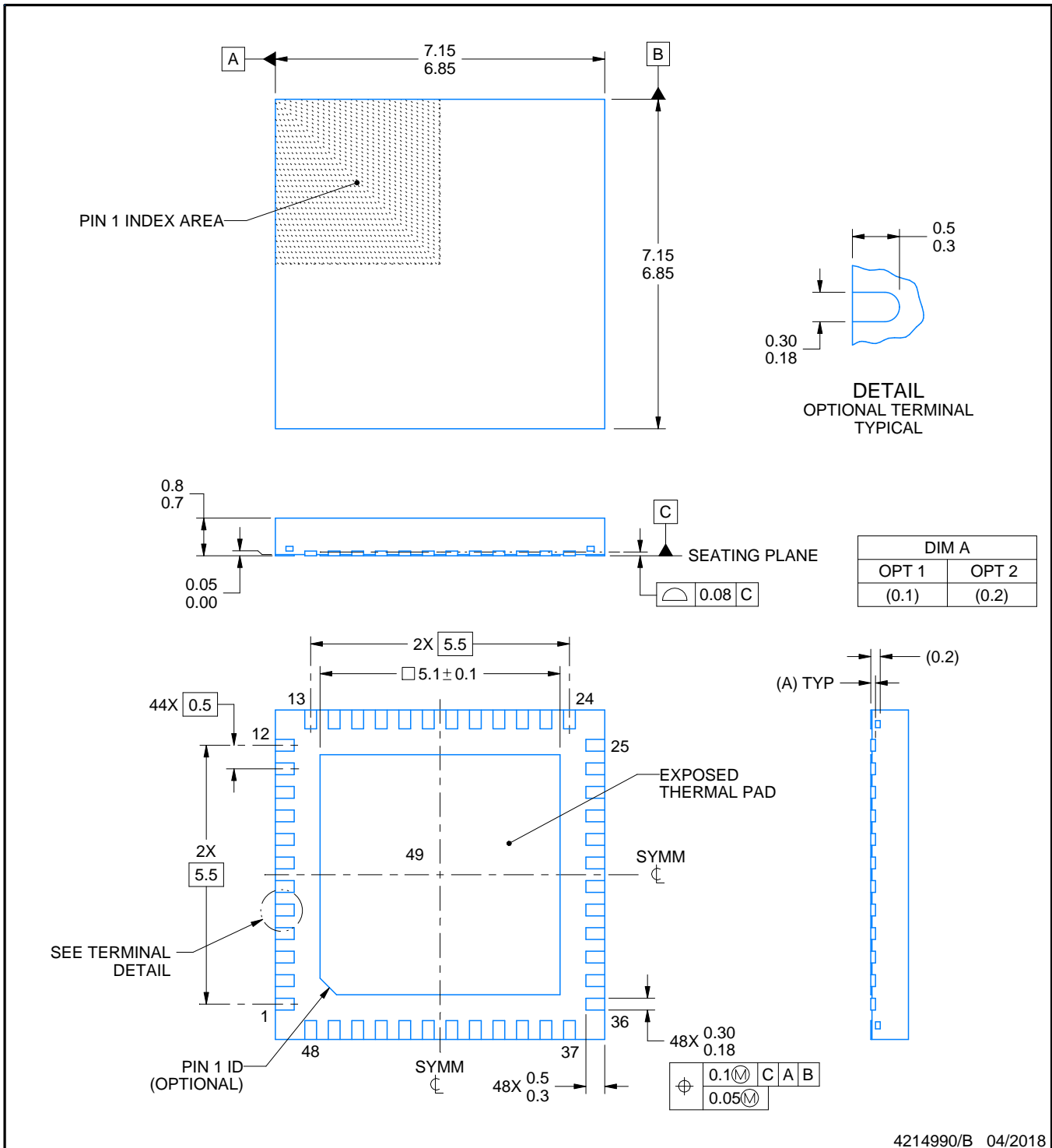
| Device | Package Type | Package Drawing | Pins | SPQ | Reel Diameter (mm) | Reel Width W1 (mm) | A0 (mm) | B0 (mm) | K0 (mm) | P1 (mm) | W (mm) | Pin1 Quadrant |
|--------------------|--------------|-----------------|------|------|--------------------|--------------------|---------|---------|---------|---------|--------|---------------|
| DS90UB903QSQ/NOPB | WQFN | RTA | 40 | 1000 | 330.0 | 16.4 | 6.3 | 6.3 | 1.5 | 12.0 | 16.0 | Q1 |
| DS90UB903QSQE/NOPB | WQFN | RTA | 40 | 250 | 178.0 | 16.4 | 6.3 | 6.3 | 1.5 | 12.0 | 16.0 | Q1 |
| DS90UB903QSQX/NOPB | WQFN | RTA | 40 | 2500 | 330.0 | 16.4 | 6.3 | 6.3 | 1.5 | 12.0 | 16.0 | Q1 |
| DS90UB904QSQ/NOPB | WQFN | RHS | 48 | 1000 | 330.0 | 16.4 | 7.3 | 7.3 | 1.3 | 12.0 | 16.0 | Q1 |
| DS90UB904QSQE/NOPB | WQFN | RHS | 48 | 250 | 178.0 | 16.4 | 7.3 | 7.3 | 1.3 | 12.0 | 16.0 | Q1 |
| DS90UB904QSQX/NOPB | WQFN | RHS | 48 | 2500 | 330.0 | 16.4 | 7.3 | 7.3 | 1.3 | 12.0 | 16.0 | Q1 |

TAPE AND REEL BOX DIMENSIONS



*All dimensions are nominal

| Device | Package Type | Package Drawing | Pins | SPQ | Length (mm) | Width (mm) | Height (mm) |
|--------------------|--------------|-----------------|------|------|-------------|------------|-------------|
| DS90UB903QSQ/NOPB | WQFN | RTA | 40 | 1000 | 367.0 | 367.0 | 38.0 |
| DS90UB903QSQE/NOPB | WQFN | RTA | 40 | 250 | 210.0 | 185.0 | 35.0 |
| DS90UB903QSQX/NOPB | WQFN | RTA | 40 | 2500 | 367.0 | 367.0 | 38.0 |
| DS90UB904QSQ/NOPB | WQFN | RHS | 48 | 1000 | 367.0 | 367.0 | 38.0 |
| DS90UB904QSQE/NOPB | WQFN | RHS | 48 | 250 | 210.0 | 185.0 | 35.0 |
| DS90UB904QSQX/NOPB | WQFN | RHS | 48 | 2500 | 367.0 | 367.0 | 38.0 |



4214990/B 04/2018

NOTES:

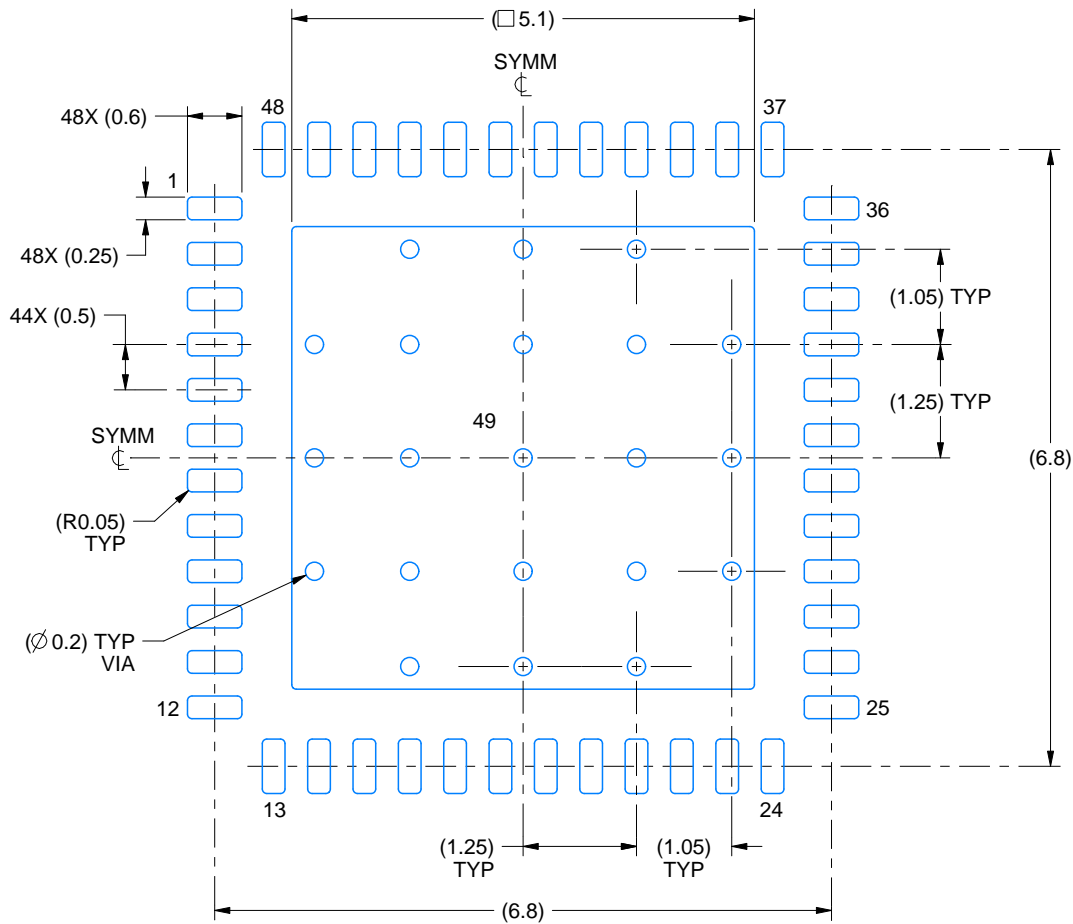
1. All linear dimensions are in millimeters. Any dimensions in parenthesis are for reference only. Dimensioning and tolerancing per ASME Y14.5M.
2. This drawing is subject to change without notice.
3. The package thermal pad must be soldered to the printed circuit board for thermal and mechanical performance.

EXAMPLE BOARD LAYOUT

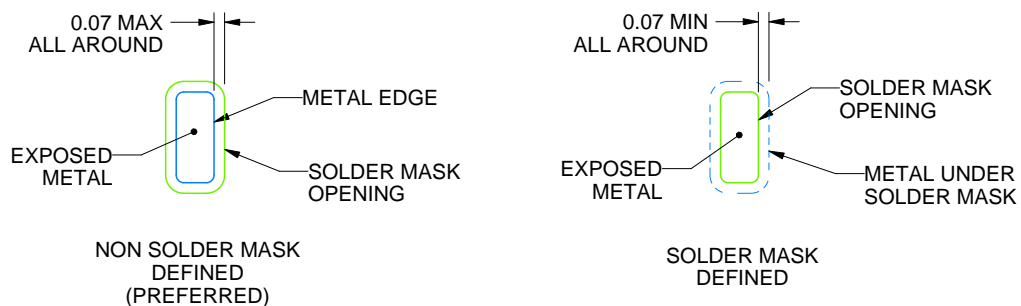
RHS0048A

WQFN - 0.8 mm max height

PLASTIC QUAD FLATPACK - NO LEAD



LAND PATTERN EXAMPLE
EXPOSED METAL SHOWN
SCALE:12X



SOLDER MASK DETAILS

4214990/B 04/2018

NOTES: (continued)

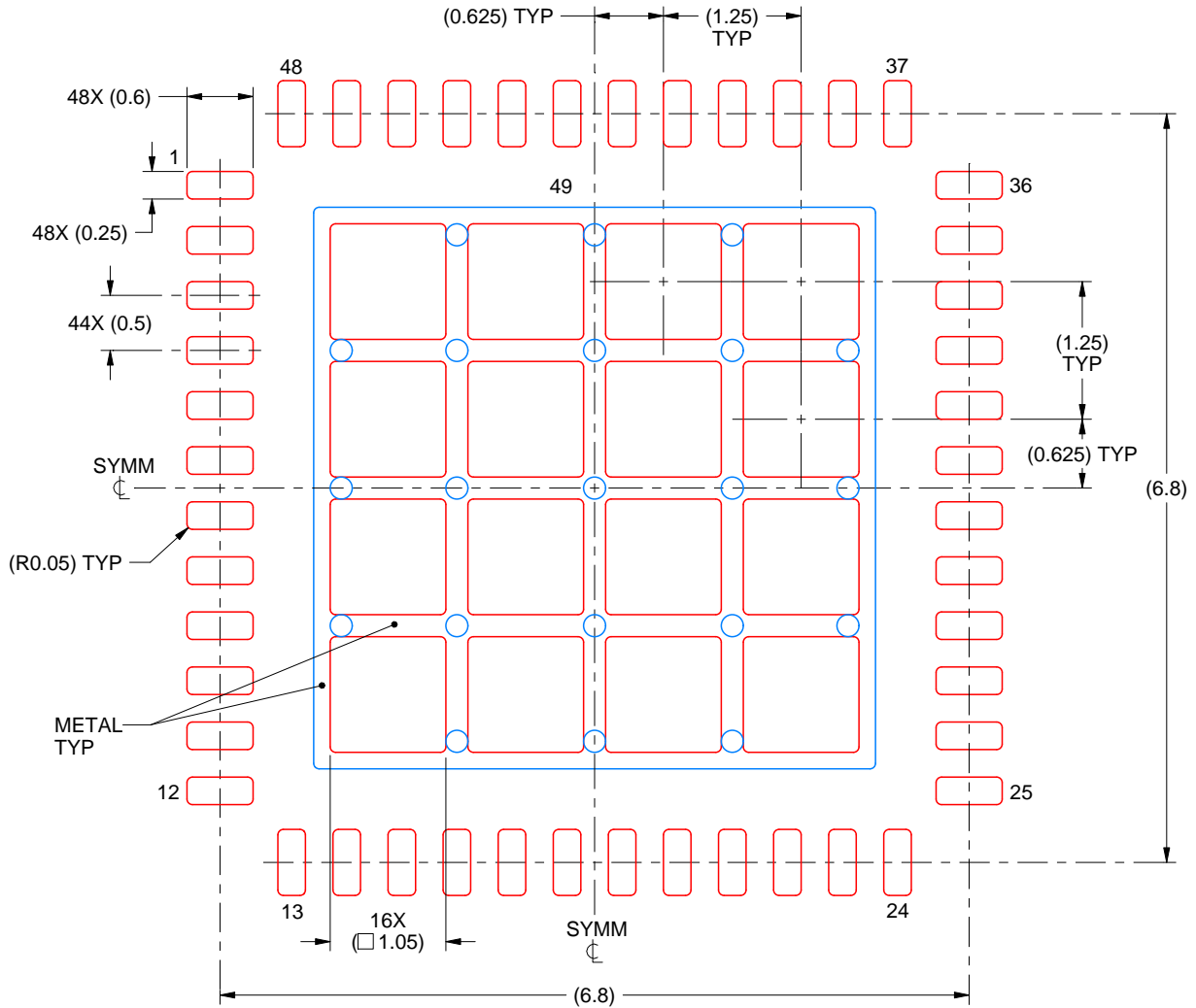
4. This package is designed to be soldered to a thermal pad on the board. For more information, see Texas Instruments literature number SLUA271 (www.ti.com/lit/slua271).
5. Vias are optional depending on application, refer to device data sheet. If any vias are implemented, refer to their locations shown on this view. It is recommended that vias under paste be filled, plugged or tented.

EXAMPLE STENCIL DESIGN

RHS0048A

WQFN - 0.8 mm max height

PLASTIC QUAD FLATPACK - NO LEAD



SOLDER PASTE EXAMPLE
 BASED ON 0.125 mm THICK STENCIL

EXPOSED PAD 49
 68% PRINTED SOLDER COVERAGE BY AREA UNDER PACKAGE
 SCALE:15X

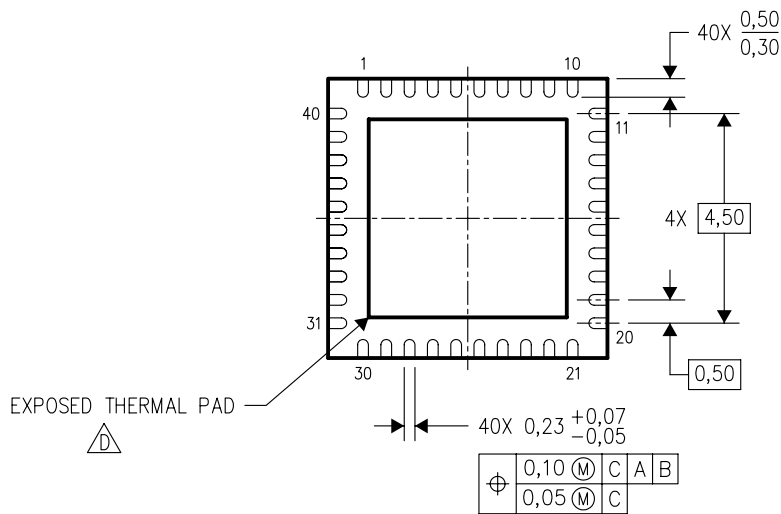
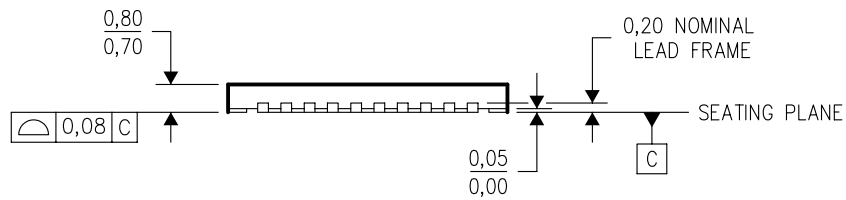
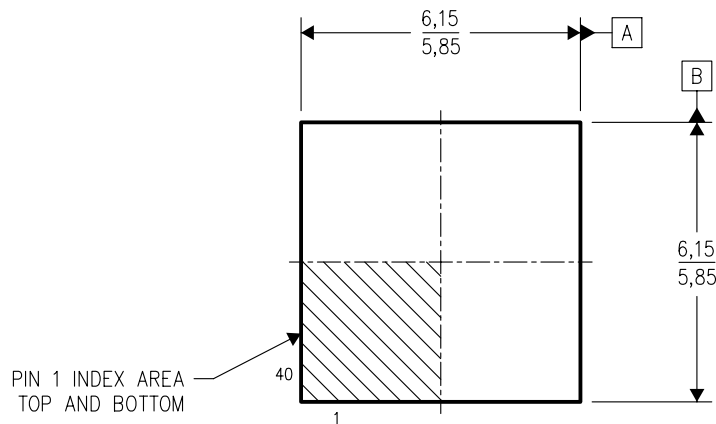
4214990/B 04/2018

NOTES: (continued)


6. Laser cutting apertures with trapezoidal walls and rounded corners may offer better paste release. IPC-7525 may have alternate design recommendations.

RTA (S-PQFP-N40)

PLASTIC QUAD FLATPACK



4204422/B 11/04

- NOTES:
- A. All linear dimensions are in millimeters. Dimensioning and tolerancing per ASME Y14.5M-1994.
 - B. This drawing is subject to change without notice.
 - C. QFN (Quad Flatpack No-Lead) Package configuration.
 -  The package thermal pad must be soldered to the board for thermal and mechanical performance. See the Product Data Sheet for details regarding the exposed thermal pad dimensions.

IMPORTANT NOTICE AND DISCLAIMER

TI PROVIDES TECHNICAL AND RELIABILITY DATA (INCLUDING DATASHEETS), DESIGN RESOURCES (INCLUDING REFERENCE DESIGNS), APPLICATION OR OTHER DESIGN ADVICE, WEB TOOLS, SAFETY INFORMATION, AND OTHER RESOURCES "AS IS" AND WITH ALL FAULTS, AND DISCLAIMS ALL WARRANTIES, EXPRESS AND IMPLIED, INCLUDING WITHOUT LIMITATION ANY IMPLIED WARRANTIES OF MERCHANTABILITY, FITNESS FOR A PARTICULAR PURPOSE OR NON-INFRINGEMENT OF THIRD PARTY INTELLECTUAL PROPERTY RIGHTS.

These resources are intended for skilled developers designing with TI products. You are solely responsible for (1) selecting the appropriate TI products for your application, (2) designing, validating and testing your application, and (3) ensuring your application meets applicable standards, and any other safety, security, or other requirements. These resources are subject to change without notice. TI grants you permission to use these resources only for development of an application that uses the TI products described in the resource. Other reproduction and display of these resources is prohibited. No license is granted to any other TI intellectual property right or to any third party intellectual property right. TI disclaims responsibility for, and you will fully indemnify TI and its representatives against, any claims, damages, costs, losses, and liabilities arising out of your use of these resources.

TI's products are provided subject to TI's Terms of Sale (www.ti.com/legal/termsofsale.html) or other applicable terms available either on ti.com or provided in conjunction with such TI products. TI's provision of these resources does not expand or otherwise alter TI's applicable warranties or warranty disclaimers for TI products.

Mailing Address: Texas Instruments, Post Office Box 655303, Dallas, Texas 75265
Copyright © 2020, Texas Instruments Incorporated